



GLASS ROOMS



CANOPIES



VERANDAS

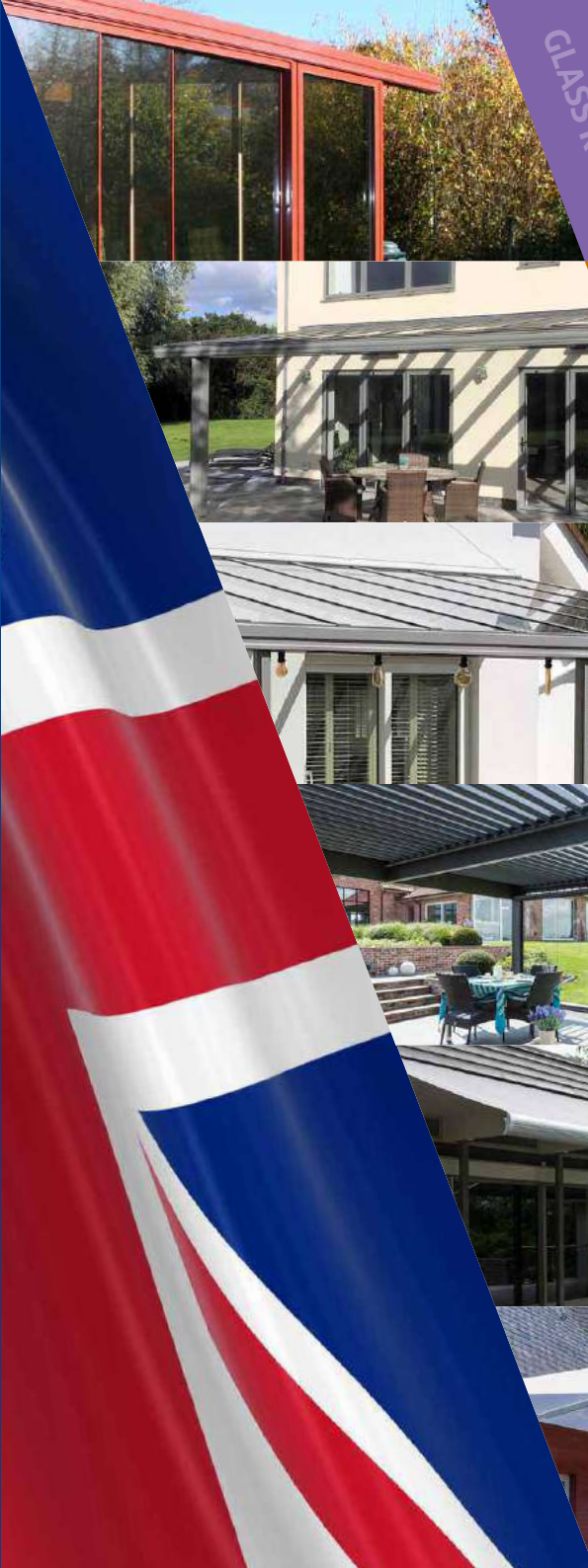


AWNINGS



UMBRELLAS

Lifestyle Product Brochure



Contents

The Glass Room Range 4

<i>The Contemporary Glass Room</i>	6-7
<i>The Lifestyle Glass Room</i>	8-9
<i>The Traditional Glass Room</i>	10-11
<i>The Simplicity Glass Room</i>	12-13
<i>The Bioclimatic Glass Room</i>	14-15

The Alfresco Range 16

<i>The Contemporary Alfresco</i>	18-23
<i>The Lifestyle Alfresco</i>	24-29
<i>The Traditional Alfresco</i>	30-35

The Simplicity Range 36

<i>The Simplicity 6</i>	38-43
<i>The Simplicity 16</i>	44-49
<i>The Simplicity 35</i>	50-55

Rafter Bar 56

Bioclimatic Pergola Range 58

<i>The Reference Pergola</i>	60-61
<i>The Elegance Pergola</i>	62-63
<i>Pergola Accessories</i>	64-65

The Awning Range 66

<i>Palladio Awnings</i>	68-69
<i>Australia Awnings</i>	70-71
<i>Pergolino Awnings</i>	72-73
<i>Screener Veranda</i>	74
<i>Screener Veranda Colours</i>	75
<i>Window Awnings</i>	76
<i>Standard Fabric Colours</i>	77

The Umbrella Range 78

<i>Classic Umbrellas</i>	80-81
<i>Giant Umbrellas</i>	82-83
<i>StrongWind Umbrellas</i>	84-85
<i>Cantilever Umbrellas</i>	86-87
<i>Impressive Umbrellas</i>	88-89
<i>Marine Upgrade</i>	90-91
<i>Membrane and Fabrics</i>	92-93
<i>Frame / Coating / Decoral Coating</i>	94-95
<i>Rain Gutters</i>	96
<i>Side Sheets</i>	97
<i>Heating and Lighting</i>	98
<i>Fixings</i>	99

Product Configurator 102

The content is the most current at the time of printing however we have the right to change any specification at all times without prior notice. This is our policy of continual improvement.

Glass Rooms, Alfresco Verandas,
Carports, Canopies, Pergolas,
Awnings and Umbrellas



The *Glass Room Range*

When it comes to making the garden a part of your home, the glass rooms are perfect in terms of style, design and versatility. Using unique designs, we are sure to have a system to offer that will be in-keeping with the appearance and function that you are looking to achieve and within an affordable budget.

The retractable glass sliding doors or fixed glass panels will offer unbroken panoramic views of the surroundings and protect those underneath from the elements, opening your home up to the 'outdoor living indoor' experience.

A glass room allows you to enjoy the outside all year

round and will become the heart of any home.

Each system is individually designed and manufactured to reflect your aspirations and requirements, as well as to maximise the space that you have available.

Glass rooms also add value to properties as well as style and character no matter where they are situated within the UK.

All our glass rooms are constructed from aluminium profiles which can be powder coated to any colour and covered with toughened glass roof panels. We also offer shading solutions as well as optional heating and lighting which can transform the outdoors into an area that can be used all year round.



5 systems



**The Contemporary
Glass Room**



**The Lifestyle
Glass Room**



**The Traditional
Glass Room**



**The Simplicity 6
Glass Room**



**Bioclimatic
Glass Room**





The *Contemporary* Glass Room

This uniquely designed Glass Room will offer both style and elegance to any property. When incorporating Glass Sliding Doors or Glass Infill Panels, all year round weather protection will be provided allowing you to enjoy your outdoor living experience.

The Contemporary Glass Room will become the focal point of any home, permitting you to plan your entertaining or outdoor dining without fear of any disruption from the UK variable weather.

The contemporary design can be further enhanced with the introduction of integrated LED lighting which can change the mood and ambience of the alfresco living experience.

Further additions of heaters will also offer greater functionality on those chilly evenings, whilst the fitting of a Screener Veranda will provide all the sun protection the average family will need.

With a 6m span between posts, it will ensure the panoramic views of the surroundings are completely uncompromised.

All the framework is aluminium and has the option of being powder coating to match any RAL colour and features 8mm toughened clear glass in the roof.

"Having updated all of our windows and created an area for bi-folding doors, we were looking for a veranda to let us use the garden area all year round and bring the outside in. We didn't want a traditional looking veranda so when we saw the contemporary alfresco, it suited the house perfectly. Having an unimpaired view from the bi-folding doors was really important and the 6m post span is perfect. We use the space for entertaining in the summer months but as we are quite near the coast, protection from the wind was important. The sliding doors work so well and maintain the uninterrupted view of the garden and coastline."

**MR & MRS SIMPSON
BOURNEMOUTH, DORSET**





The *Lifestyle* Glass Room

Are you looking for a structure that blends modern styling with minimal chic?

Why not consider the Lifestyle Glass Room?

A beautiful outdoor living solution that will enhance the pleasure gained from enjoying time outdoors which is no longer limited to the warm summer months thanks to the Lifestyle Glass Room. By adding sliding glass doors and fixed glazed panels, you can take in the view throughout the whole year.

"Our old veranda had vertical awnings on the sides and whilst this was great for shade protection, it wasn't good in the wind. We wanted a solution where we could have the best of both worlds and now have this with our glass room. We like the sleek design of the system and the large span between the posts. A great addition to our home."

MR C. SOUTHALL
ELY, CAMBRIDGESHIRE





The *Traditional* Glass Room

Are you looking for an all in one outdoor living solution?

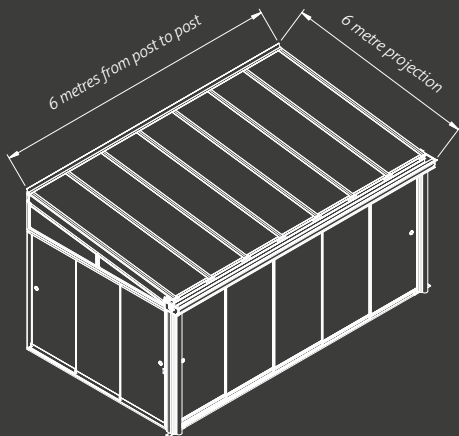
The Traditional Glass Room is the best of the best. The elegant design of the traditional Alfresco has been adapted for use in all weather conditions, while retaining the classy, yet traditional look.

This ornate high end option has been designed with elegance in mind. With a large span and projection, it truly allows you to take in all aspects of your garden. The fully enclosed feature allows use of the system all year round.

The sleek glass sliding doors and fixed glass panels allows you to adapt the purpose of your glass room all year round. You can fully open them on hot summer days, and close them during the colder months of the year to protect the room from harsh winds and downpours, enabling you to get the most from your outdoor living experience.

"The patio was due for renewal and we wanted to maximise the time we spent in the garden. The traditional alfresco design fitted in with the rustic charm of our cottage and we love to entertain and relax in this space, sheltered from the elements."

MR G. LARSON
MERSEYSIDE





The *Simplicity* Glass Room

If you want to enhance your outdoor experience for entertaining, dining or just relaxing in your garden then the versatility of a Simplicity 6 Glass Room will provide that life style.

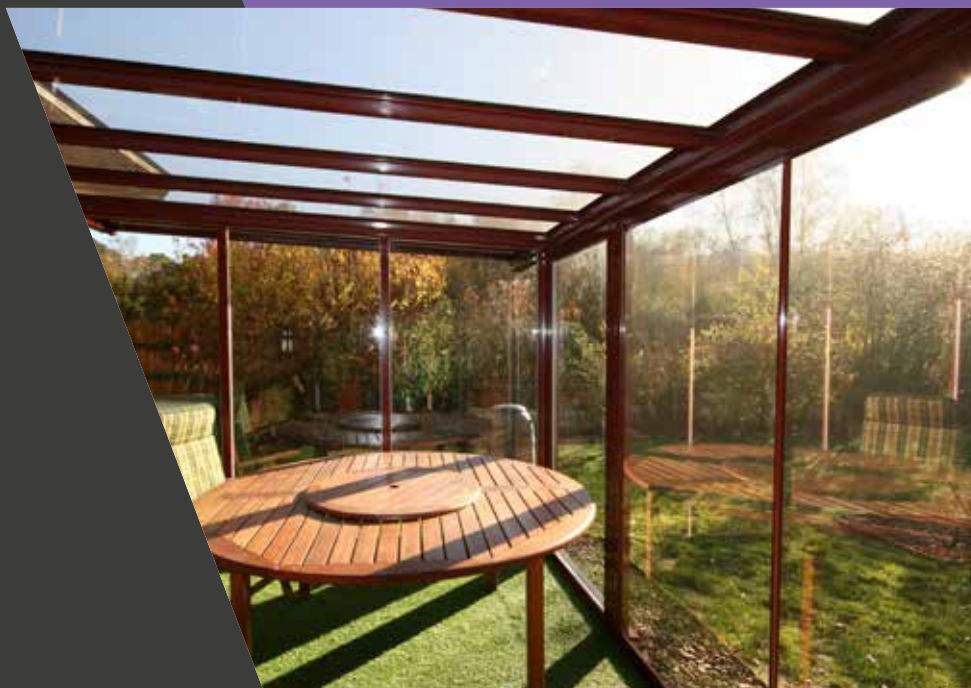
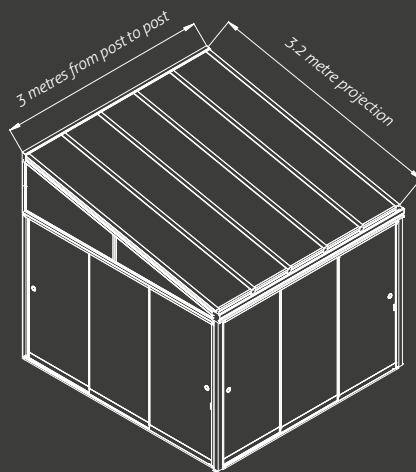
The stylish glass veranda now has the added feature of incorporating retractable glass sliding doors and fixed panels to create an outdoor room that is weather protected and can be used all year round.

The Simplicity 6 Glass Room is the perfect choice for domestic gardens due to its shading and optional heating and lighting features. This system will transform the UK glass room market as it has all the style, features and benefits of all glass room systems but the **PRICE and QUALITY** will exceed all expectations.

The framework is completely manufactured from aluminium and can be powder coated to a RAL colour. It also features 6mm toughened glass that is available in a range of tinted options.

"Due to the limited patio space we had, it was a struggle to find a product which didn't take up a lot of space but would give us a sheltered area that we could enjoy the garden in all year round. The Simplicity 6 Glass Room met our needs perfectly and we find ourselves in it most days thanks to the heaters and lighting that we opted for."

MRS G. BRAITHWAITE
ESHER, SURREY





The *Bioclimatic* Glass Room

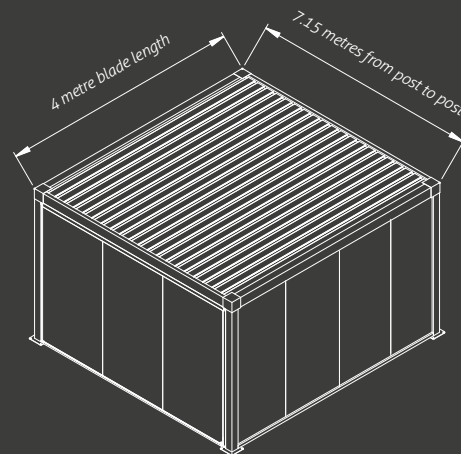
The Bioclimatic Glass Room is the ultimate in modern design, this truly individual solution can be configured to meet any design requirements.

It is available with fixed glass panels, sliding glass doors, vertical zip screens, LED lighting and adjustable louvered vertical panels. You can be assured that there is a solution that will meet your requirements.

With this system you really have the best of both worlds, you can simply open the doors or adjust the louvers in the roof for ultimate control over your outdoor experience.

"We love the "wow" factor of our pergola and the versatility that it brings. Adding the glass doors create the ultimate garden room which is a comfortable space all year round. It's the envy of the neighbourhood!"

**MR & MRS TOWNSHEND
ST. ALBANS, HERTS**





The *Alfresco* Range

The all new Alfresco Range consists of 3 very different looking structures to compliment any surrounding. Whether it's traditional, contemporary or something a little more subtle, the Alfresco Range really does have it covered. All structures are available with integrated LED lighting, heating, the glass room upgrade and hidden fixings.

All systems within the Alfresco range have the option to span a massive 6 metres from post to post which means that the view is never compromised.

Leading designers have worked to create an innovative and truly stunning range of systems that will enhance and add value to your home, allowing you to be sheltered and comfortable in your garden whatever the weather.

The structures can be glazed with either 8mm toughened glass or 35mm polycarbonate sheets. The glass option offers improved acoustic properties

reducing the noise of rain during a downpour as well as providing a sparkling finish which is easy to maintain.

Like the other systems they are made completely from aluminium for ultimate longevity. They feature easy-fix clip on profiles that hide fixings and downpipes to give a stylish and modern look. This also means that any cabling for additional extras such as lighting, heating or even a sound system can be hidden from view with no unsightly trailing cables.

Each system can be manufactured to an exact size to suit your requirements and can be polyester powder coated to ANY RAL or BS colour.

The Alfresco is supplied with a 10 year guarantee and a minimum 25 year life expectancy and many optional extras. The 3 systems shown overleaf are the Contemporary Alfresco with its clean minimal looks, the Lifestyle Alfresco with its rounded face soft finish and the Traditional Alfresco with its ornate gutters, clip-on claddings and stunning high end finish.

3 options

**Ideal for BIG SPAN VERANDAS, GLASS ROOMS
and OUTDOOR DINING CANOPIES.**

The Alfresco Range is the latest addition to the veranda range and with its massive 6 metre span between posts, your view is never compromised.

It is available with LED integrated lighting, heating has concealed fixings and is made entirely from aluminium. The Alfresco Range is the perfect solution for creating a unique and practical outdoor space for garden parties, barbecues and all kinds of family and social events all year round.

**All of the Alfresco structure are available
with a 35mm polycarbonate roof system**



**The *Contemporary*
Alfresco**



**The *Lifestyle*
Alfresco**



**The *Traditional*
Alfresco**



option **1**



The *Contemporary* Alfresco

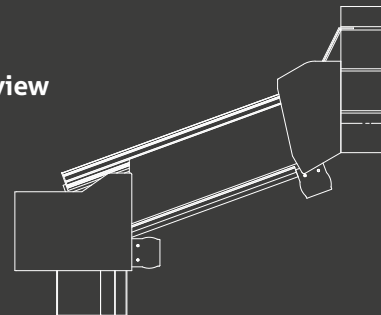
Introducing the Contemporary Alfresco, with clean lines and minimal looking aluminium extrusions which have been designed with simplicity in mind. This sleek, yet modern structure has a subtle elegance that will never go out of style.



The optional integrated LED Lighting and heaters enable you to use the structure in to the evening, and for complete shelter from the elements you can opt for the glass room upgrade as seen on pages 6-7.

The fixings are hidden with aluminium trims and the downpipes are inside of the posts and can be connected either underground drainage or diverted to a surface drain.

Cross section view



SUITABLE FOR BIG SPAN CARPORTS

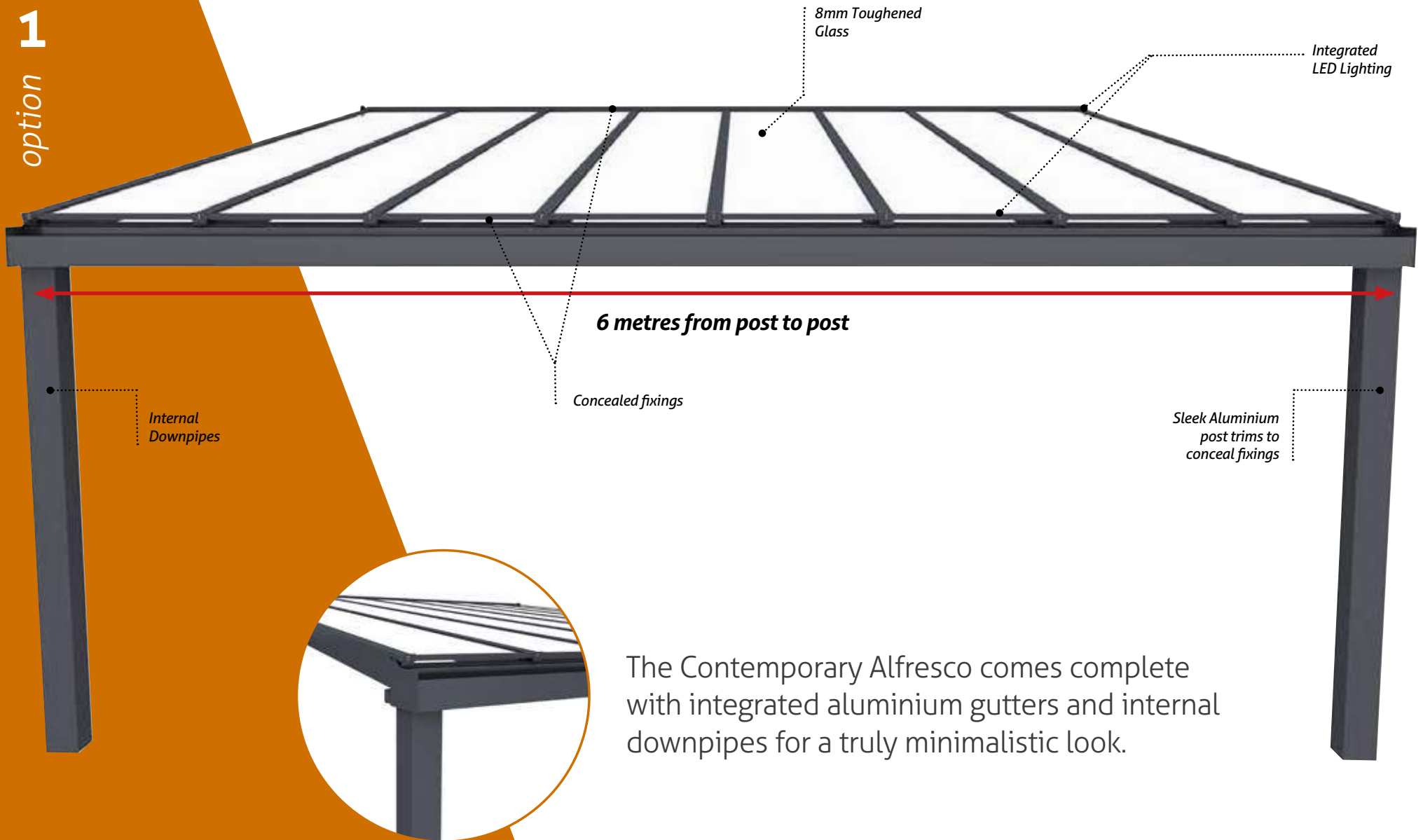


SUITABLE FOR BIG SPAN VERANDAS & OUTDOOR DINING CANOPIES



Canopy above includes a Screener Veranda Upgrade see pages 72-73

option 1



The Contemporary Alfresco comes complete with integrated aluminium gutters and internal downpipes for a truly minimalistic look.

The *Contemporary* Alfresco

Features & Benefits

- **Full 10 Year Guarantee** – The Alfresco Range is supplied with a full 10 year guarantee and a minimum 25 year life expectancy for the canopy frame
- **Choice of Glass or Polycarbonate** – Choose to have either 8mm toughened glass or 35mm polycarbonate which is Class 1 BS EN 12600 for impact Performance
- **Low Maintenance** – All systems are aluminium so maintenance is significantly reduced compared to PVC options which are available elsewhere on the market
- **Available Projections** – Up to an impressive 6 metres maximum
- **Integral Aluminium Guttering and Easy-Fix Profiles** – Creates a sleek, modern design

Projection up to 6m

Posts Spacing

Projection: Up to 6m

Spacing: 6.0m

Glazing Bars Spacing

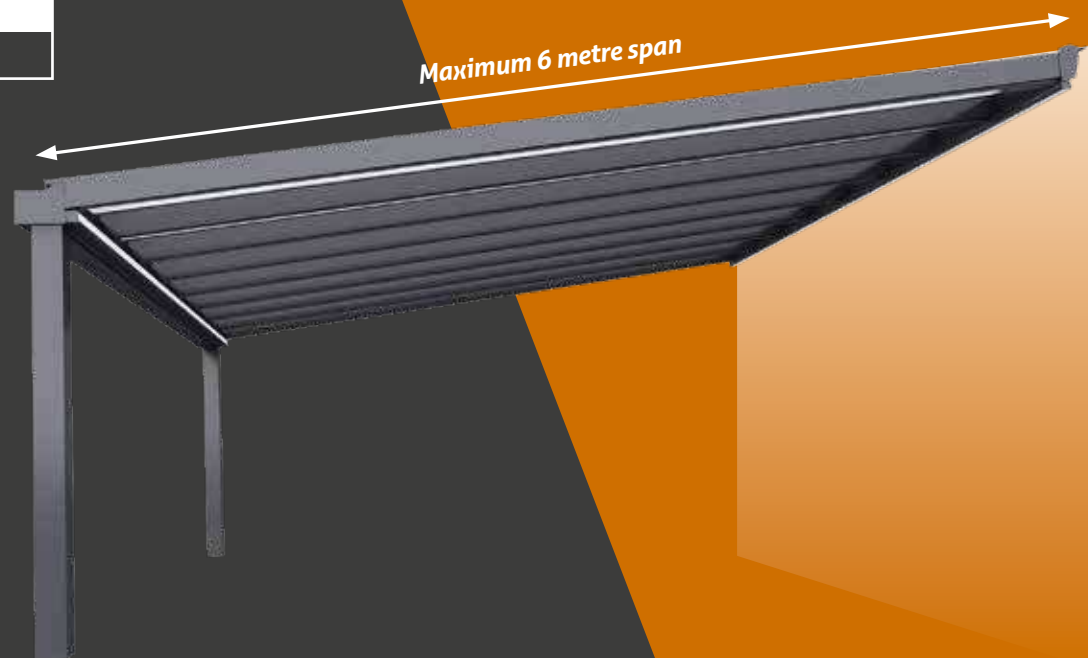
Projection: Up to 6m

Spacing: 800mm

Pitch

5 degrees minimum to 45 degrees maximum

These are general calculations, once we understand your requirements we will perform an assessment for wind and snow loadings based on your postcode.



The Contemporary Alfresco has an Integrated LED Lighting System and aluminium trims to conceal the fixings and give a quality finish.



The *Contemporary* Alfresco

Optional Upgrades

The Contemporary Alfresco can be supplied with a host of upgrades to enhance the experience of using the area.

These include:

- **Remote Controlled Integrated LED Lighting** which will enable you to enjoy the area into the evening.
- **Infrared Heaters** to make the area more comfortable on those chilly days and nights.
- **Fixed or Sliding Glass Side or Front Panels** to give you complete weather protection around the front or the sides of the structure.
- For the best of both worlds a **Screener Veranda** can be installed on top of the structure to offer automated shade whenever required
- **Wide Range of Colour Options** – The aluminium frame can be finished to any BS or RAL colour



GLASS ROOM



LED LIGHTING AVAILABLE



INFRARED HEATERS AVAILABLE



SCREENER VERANDA SUN SCREEN



ANY RAL COLOUR OPTION

Available as a Glass Room Upgrade. See pages 6-7 for more details.



Available in any RAL colour



Glass Room Upgrade



Screener Veranda Upgrade

option 2

The *Lifestyle* Alfresco

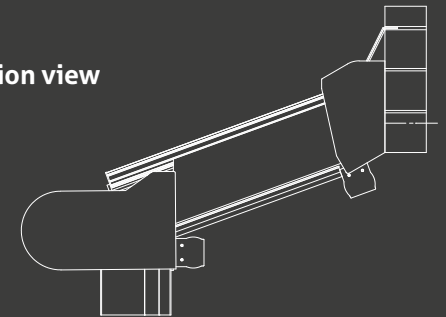
Introducing the Lifestyle Alfresco, this fresh rounded option has also been designed with simplicity in mind. This sleek structure is subtle and complements any surrounding.

The optional integrated LED lighting and heaters enable you to use the structure during the evening and for complete shelter from the elements you can opt for the glass room upgrade as seen on page 8-9.

The fixings are hidden with aluminium trims and the downpipes are hidden inside of the posts. They can be connected either underground or diverted to a surface drain.



Cross section view



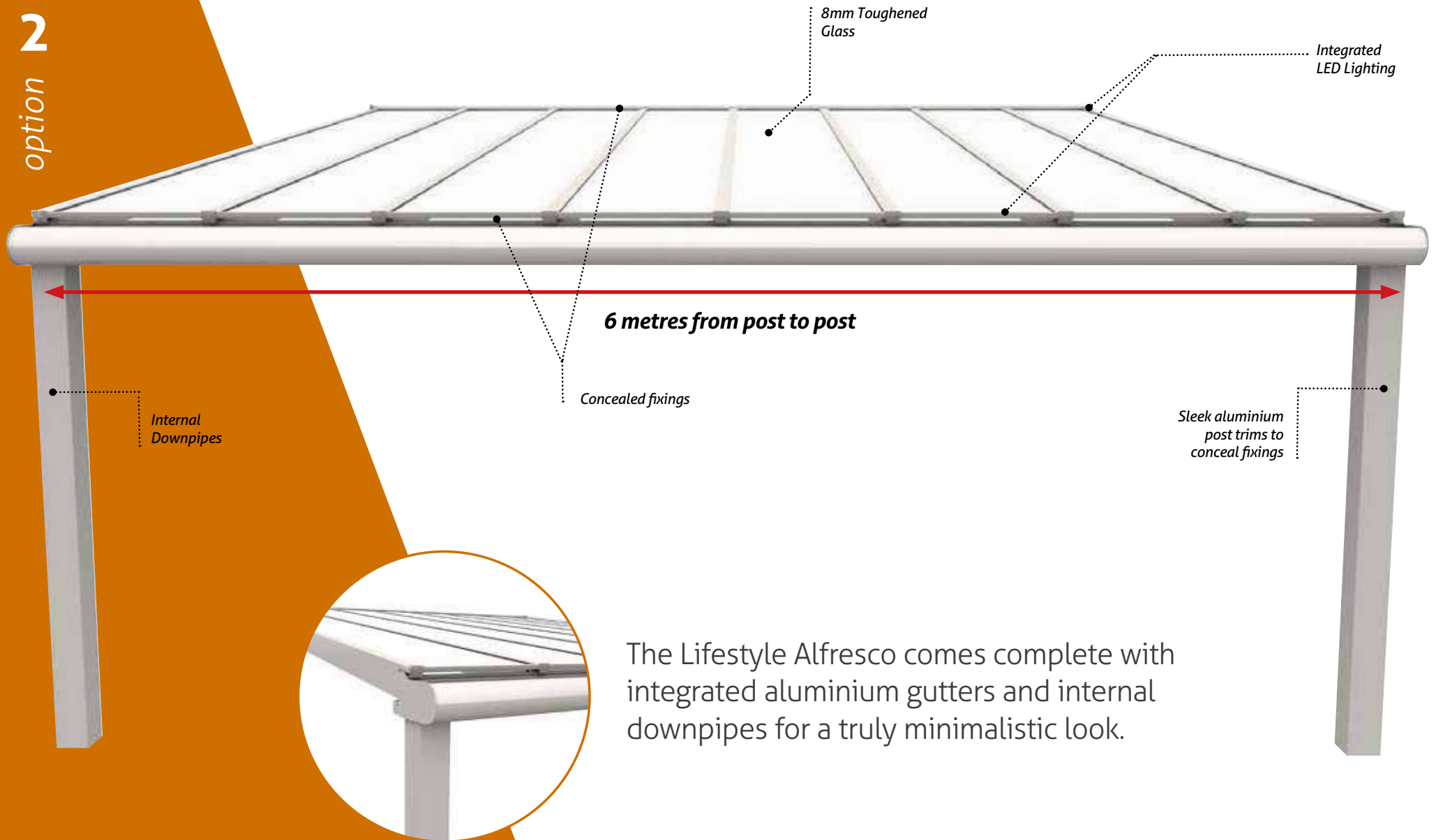
SUITABLE FOR BIG SPAN CARPORTS



SUITABLE FOR BIG SPAN VERANDAS & OUTDOOR DINING CANOPIES



option 2



The Lifestyle Alfresco comes complete with integrated aluminium gutters and internal downpipes for a truly minimalistic look.

The *Lifestyle* Alfresco

Features & Benefits

- **Full 10 Year Guarantee** – The Alfresco Range is supplied with a full 10 year guarantee and a minimum 25 year life expectancy for the canopy frame
- **Choice of Glass or Polycarbonate** – Choose from either 8mm toughened glass or 35mm polycarbonate which is Class 1 BS EN 12600 for impact performance
- **Low Maintenance** – All systems are aluminium so maintenance is significantly reduced compared to PVC options which are available elsewhere on the market
- **Available Projections** – Any minimum and a massive 6 metres maximum
- **Integral Aluminium Guttering and Easy-Fix profiles** – Creates a sleek, modern design

"We were really impressed with the final design and detail of the structure and take our hats off to the installation team!"

MR & MRS WOOD - MAIDSTONE, KENT

Projection up to 6m

Posts Spacing

Projection: Up to 6m

Spacing: 6.0m

Glazing Bars Spacing

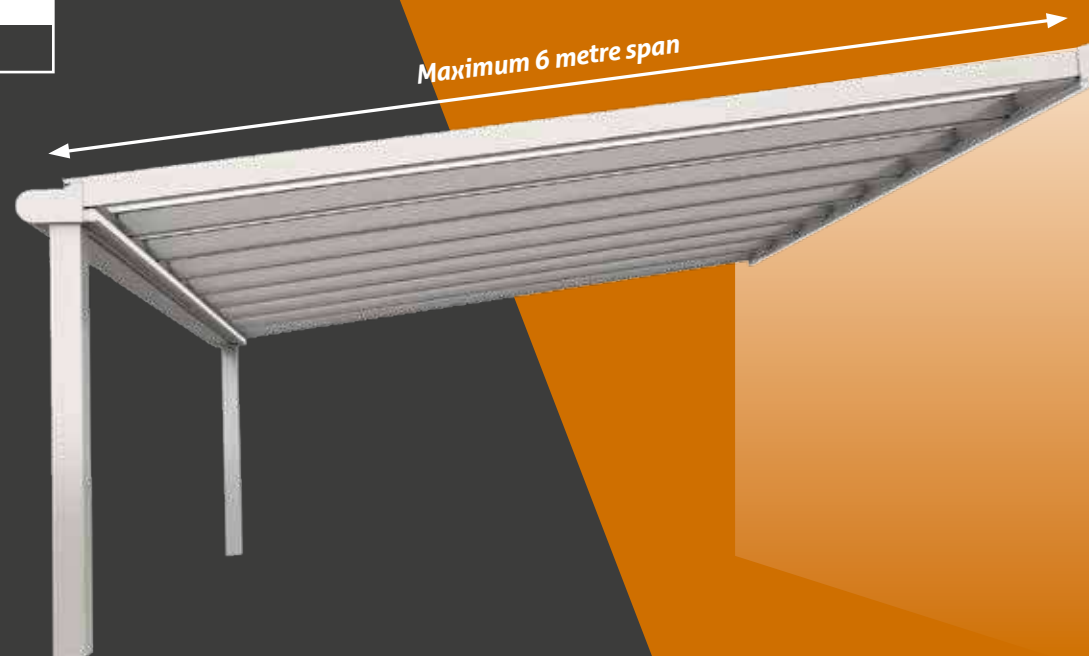
Projection: Up to 6m

Spacing: 800mm

Pitch

5 degrees minimum to 45 degrees maximum

These are general calculations, once we understand your requirements we will perform an assessment for wind and snow loadings based on your postcode.



option **2**



The *Lifestyle* Alfresco

Optional Upgrades

The Lifestyle Alfresco can be supplied with a host of upgrades to enhance the experience of using the area.

These include:

- **Remote Controlled Integrated LED Lighting** which will enable you to enjoy the area into the evening.
- **Infrared Heaters** to make the area more comfortable on those chilly days and nights.
- **Fixed or Sliding Glass Side or Front Panels** to offer complete weather protection around the front or the sides.
- For the best of both worlds the **Screener Veranda** can be installed on top of the structure to give automated shade whenever you feel the need for shade.
- **Wide Range of Colour Options** – The aluminium frame can be finished to any BS or RAL colour



GLASS ROOM



LED LIGHTING AVAILABLE



INFRARED HEATERS AVAILABLE



SCREENER VERANDA SUN SCREEN



ANY RAL COLOUR OPTION

Available as a Glass Room Upgrade. See pages 8-9 for more details.



Available in any RAL colour



Glass Room Upgrade



Screener Veranda Upgrade

The *Traditional* Alfresco

Introducing the Traditional Alfresco. This ornate, high-end option has been designed with elegance in mind. This traditional looking structure complements the most sophisticated of buildings.

The optional integrated LED Lighting and heaters enable you to use the structure in the evening and for complete shelter from the elements you can opt for the glass room upgrade as seen on page 10-11.

The fixings are hidden with aluminium trims and the downpipes are hidden inside of the posts and can be connected either underground or diverted to a surface drain.



Cross section view



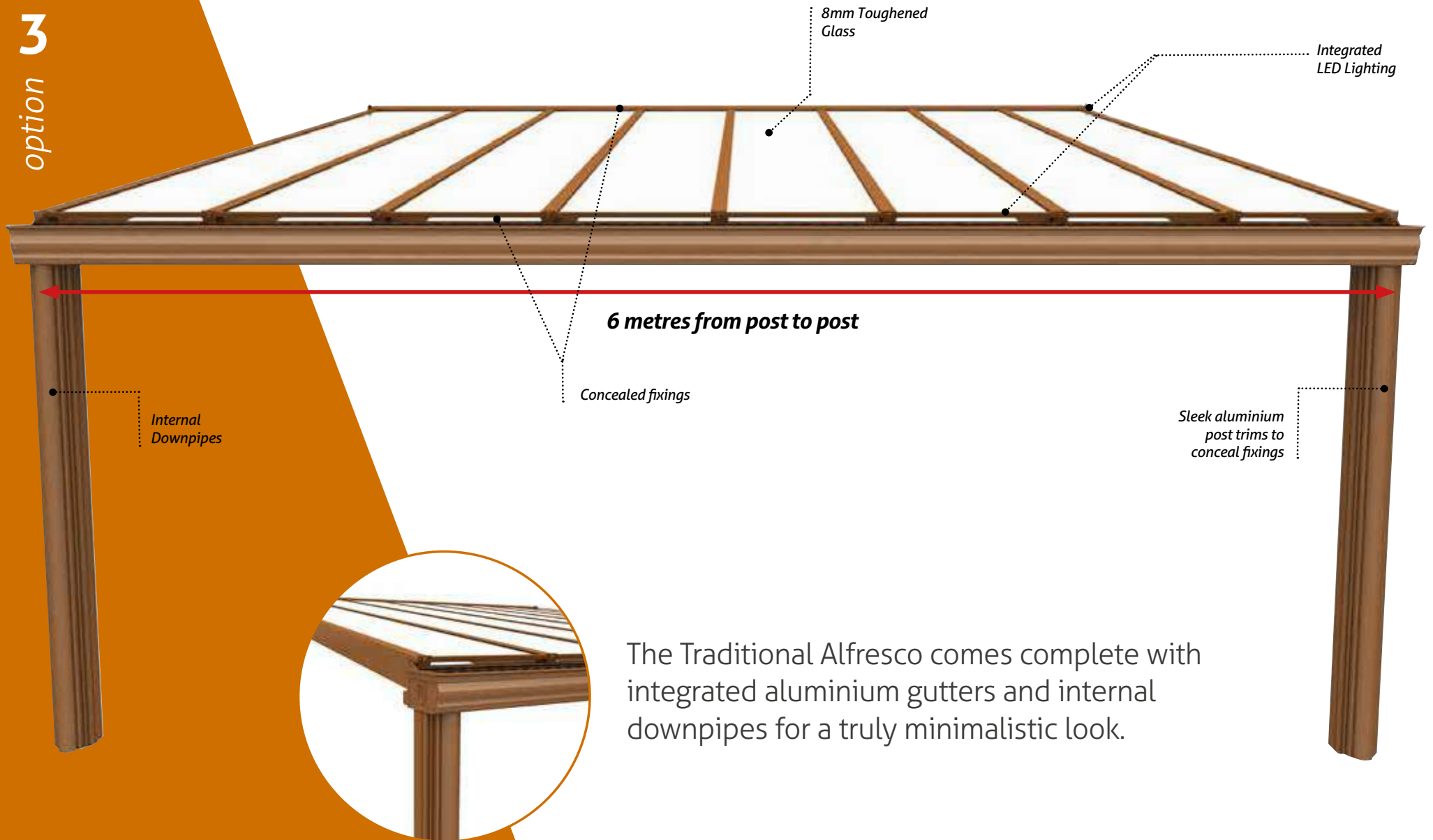
SUITABLE FOR BIG
SPAN CARPORTS



SUITABLE FOR BIG SPAN
VERANDAS & OUTDOOR
DINING CANOPIES



option 3



The Traditional Alfresco comes complete with integrated aluminium gutters and internal downpipes for a truly minimalistic look.

The *Traditional* Alfresco

Features & Benefits

- **Full 10 Year Guarantee** – The Alfresco Range is supplied with a full 10 year guarantee and a minimum 25 year life expectancy for the canopy frame
- **Choice of Glass or Polycarbonate** – Choose from either 8mm toughened glass or 35mm polycarbonate which is Class 1 BS EN 12600 for impact Performance
- **Low Maintenance** – All systems are aluminium so maintenance is significantly reduced over other PVC options available elsewhere on the market
- **Available Projections** – Up to an impressive 6 metres
- **Integral Aluminium Guttering and Easy-Fix profiles** – Creates a sleek, modern design.

Projection up to 6m

Posts Spacing

Projection: Up to 6m

Spacing: 6.0m

Glazing Bars Spacing

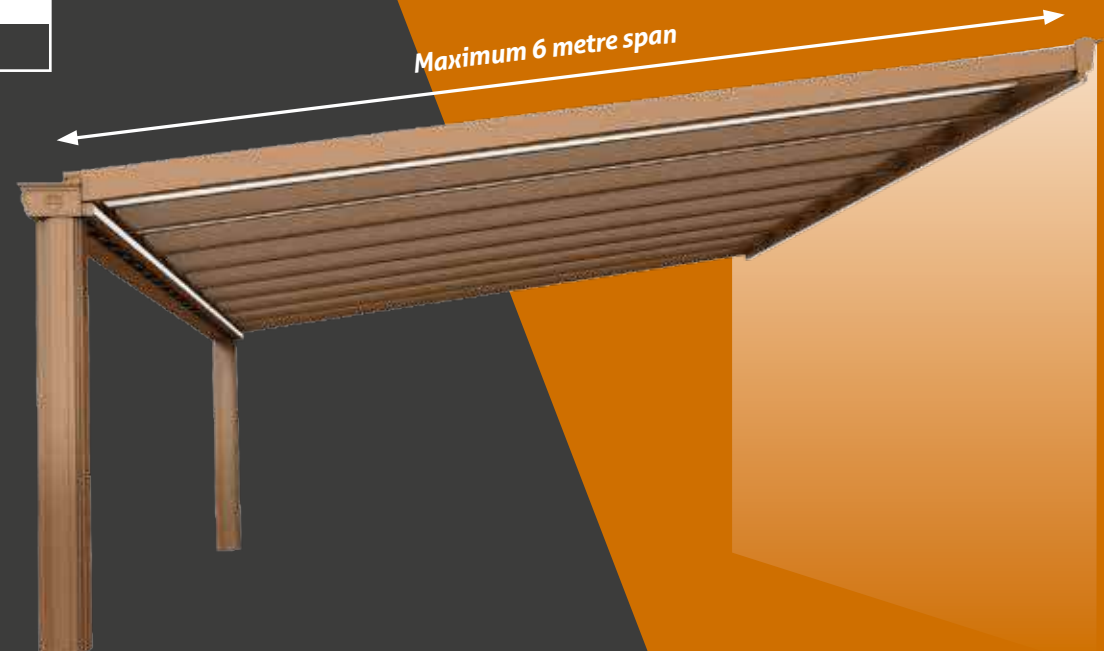
Projection: Up to 6m

Spacing: 800mm

Pitch

5 degrees minimum to 45 degrees maximum

These are general calculations, once we understand your requirements we will perform an assessment for wind and snow loadings based on your postcode.



"Thank you for a really nice job, it looks great."

MR. MARTIN - ROMFORD, ESSEX

The Traditional Alfresco has an Integrated LED Lighting System and aluminium trims to conceal the fixings and give a quality finish.



The *Traditional* Alfresco

Optional Upgrades

The Traditional Alfresco can be supplied with a host of upgrades to enhance the experience of using the area.

These include:

- **Remote Controlled Integrated LED Lighting** which will enable the area to be enjoyed in the evening.
- **Infrared Heaters** to make the area more comfortable on those chilly days and nights.
- **Fixed or Sliding Glass Side or Front Panels** to offer complete weather protection around the front or the sides.
- For the best of both worlds the **Screener Veranda** can be installed on top of the structure to give you automated shade whenever you feel the need for shade.
- **Wide Range of Colour Options** – The aluminium frame can be finished to any BS or RAL colour.



GLASS ROOM



LED LIGHTING AVAILABLE



INFRARED HEATERS AVAILABLE



SCREENER VERANDA SUN SCREEN



ANY RAL COLOUR OPTION

Available as a Glass Room Upgrade. See pages 10-11 for more details.



Available in any RAL colour



Glass Room Upgrade



Screener Veranda Upgrade

The *Simplicity* Range

The Simplicity range of solutions have been designed with quality longevity and speed of installation in mind.

These systems have been developed to be made completely from aluminium so that they can survive the rigors of the British weather.

They can be glazed with either glass or polycarbonate so that you can be assured they can meet most budgets.

A lot of importance is placed on keeping things simple and quick to install (hence the name) this means these products are really simple for you to maintain.

Having a range of options is also important so that you can enhance the experience by adding upgrades like lighting, heating and additional protection from the elements.

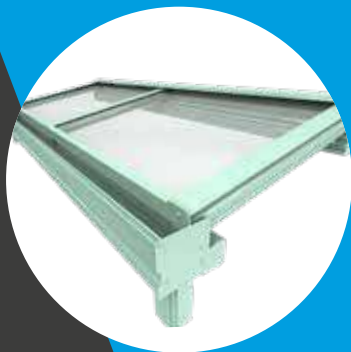


Cost effective carport or garden veranda systems that are quick and easy to install.

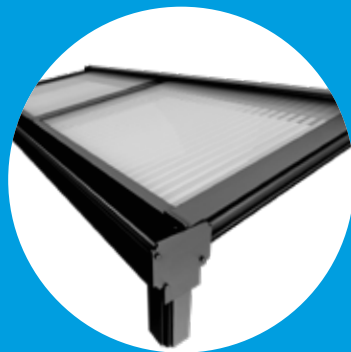
3 options

All aluminium solutions available in any colour

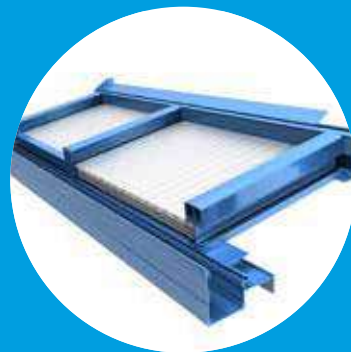
We have 3 very different options with 3 sets of upgrades within the Simplicity range which will enable you to choose a product for most applications and budgets.



The *Simplicity 6*



The *Simplicity 16*



The *Simplicity 35*





The *Simplicity* 6

The Simplicity 6 is a stylish veranda, canopy and carport system that is glazed with a choice of 6mm toughened glass.

With elegant posts and optional glass roofing, this product offers you a deluxe canopy or veranda at an affordable price. By featuring the option of glass roofing, the Simplicity 6 offers improved acoustic properties – reducing the noise of rain drops during a downpour; these glass panels also provide a sparkling finish which is easy to maintain, particularly if the self-cleaning glass is chosen.

All framework is constructed from durable aluminium, with the option to powder coat the structure to any RAL colour or BS colour.

The Simplicity 6 is the perfect veranda solution for gardens and provides effective and stylish cover from the weather for alfresco dining and garden parties.

With a span of up to 3.2m glass length from its supporting wall, and an unlimited length you will have a solution that can be adapted to suit your exact needs.

The Simplicity 6 comes with a full 10 year guarantee and a 25 year life expectancy, making this a real investment that you will be able to enjoy for many years to come.

Now available in either white or anthracite grey as standard.

“The veranda has made a big difference to our property and it has created a great outside space all year around. In warm weather it’s great for eating outside and to entertain and in cooler or wetter weather can still be used to sit outside in the garden with some shelter.”

MR. GREEN - BASILDON, ESSEX



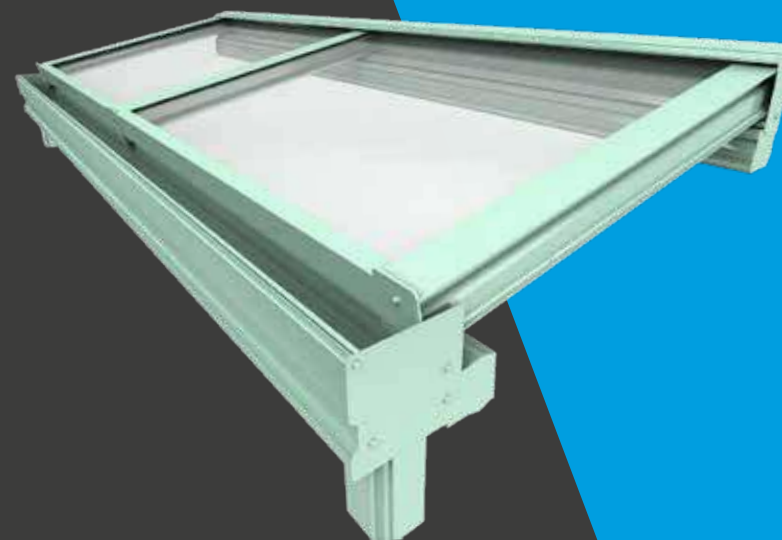
SUITABLE FOR GARDEN
VERANDAS & CANOPIES

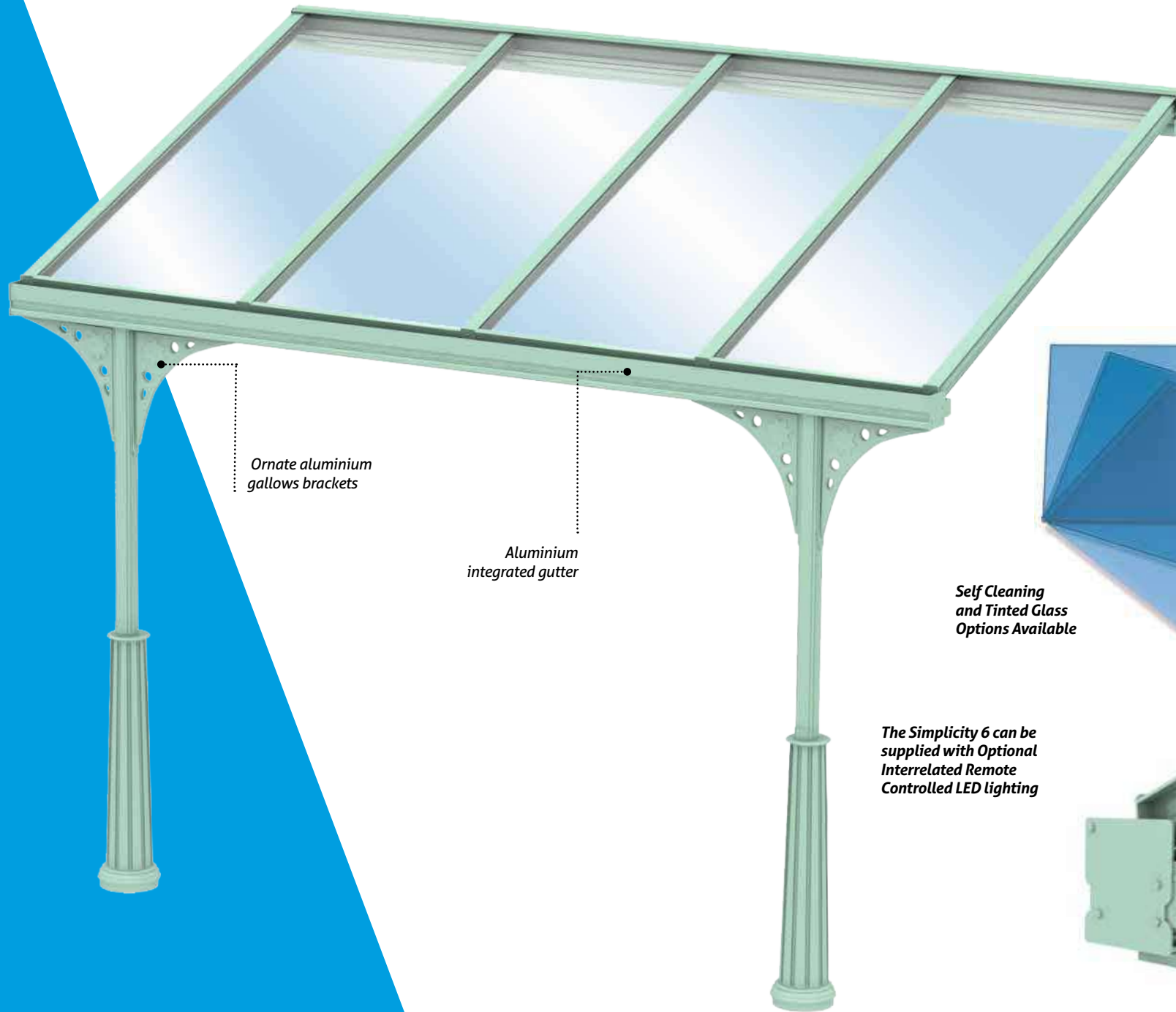


SUITABLE FOR
DINING AREAS



Victorian post upgrade





Ornate aluminium gallows brackets

Aluminium integrated gutter



Self Cleaning and Tinted Glass Options Available

The Simplicity 6 can be supplied with Optional Interrelated Remote Controlled LED lighting



The *Simplicity 6*

Features & Benefits

- **Full 10 Year Guarantee** – The Simplicity 6 is supplied with a full 10 year guarantee and a 25 year life expectancy for the canopy frame
- **UV Activated Self-Cleaning Glass** – Optional 6mm self-cleaning toughened glass has a UV activated special coating that is applied during manufacture that breaks down organic dirt which is then washed away by the rain. Only a small amount of UV is needed to activate the special coating so that the veranda remains clean even on cloudy days
- **Toughened Glass** – Both glass options are toughened during manufacturing and achieve Class 1 BS EN 12600 for impact performance
- **Low Maintenance** – All roof options are low maintenance, particularly the self-cleaning glass, which means less cleaning is required, saving you time and money
- **High Light Transmittance** – All roof options offer high light transmittance
- **Available Projections** – Up to 3.2m projection (Bar length)

- **Simple Fixing System with Minimal Parts** – For a simple and speedy installation
- **Low Profile** – The Simplicity 6 can be fitted in height restricted areas
- **Integral Aluminium Guttering** – Creates a sleek, modern design which is stronger than external guttering systems and saves time on installation

Information on the design load and maximum span limits is available on request.

Projection up to 3.2m

Posts Spacing	
Projection:	Up to 3.2m
Spacing:	3.0m
Glazing Bars Spacing	
Projection:	Up to 3.2m
Spacing:	600mm
Pitch	
From 2.5 degrees to 22.5 degrees	

These are general calculations, once we understand your requirements we will perform an assessment for wind and snow loadings based on your postcode.



Optional Galls Included



Optional Base Castings and Galls Included

option **H**



The *Simplicity* 6

Optional Upgrades

- **Wide Range of Colour Options** – The aluminium frame can be finished to any BS or RAL colour
- **Victorian Upgrade Available** – Enhance your structure with traditional style decorative post sleeves and gallows brackets
- **Infrared Heaters** - Wall Mounted Infrared Heaters can be added to the veranda to create a warm and cosy atmosphere
- **Integrated LED Lighting Available** – Lighting can be added to the veranda to enable you to entertain when the sun goes down
- **Glass Options** – 6mm clear toughened, 6mm clear self-cleaning, 6mm toughened tinted grey and blue and 6mm toughened self-cleaning tinted blue glass.

-  **VICTORIAN UPGRADE**
-  **OPTIONAL REMOTE CONTROLLED LED LIGHTING AVAILABLE**
-  **INFRARED HEATERS AVAILABLE**
-  **GLASS OPTIONS**
-  **ANY RAL COLOUR OPTION**
-  **CONTEMPORARY 70MM x 70MM SQUARE POST AVAILABLE**



Victorian Upgrade



Optional Integrated Lighting



Infrared Heaters



Available in any RAL colour



LED Remote Control Unit

option 2



Image above shows additional side panels supplied by a trade partner.

The *Simplicity* 16

It's simple; the Simplicity 16 has been developed with speed of installation, durability and cost in mind.

Due to its clever design, the Simplicity 16 provides a durable and attractive shade and shelter solution at our most cost-effective price. It can project up to 4 metres (subject to technical loading calculations) and has a lightweight roofing system, making it perfect for use as a carport or veranda.

The stylish modern design gives a look that is second to none, enhancing the adjoining building's aesthetics. It also offers unbeatable structural performance, simply outperforming all other carport and canopy systems pound for pound.

This highly versatile canopy and carport system offers a variety of solutions for:

- **Carports**
- **Verandas**
- **Smoking Shelters**
- **Walkway Canopies**
- **Covered Play Areas**
- **Porch Canopies**
- **Caravan Shelters**

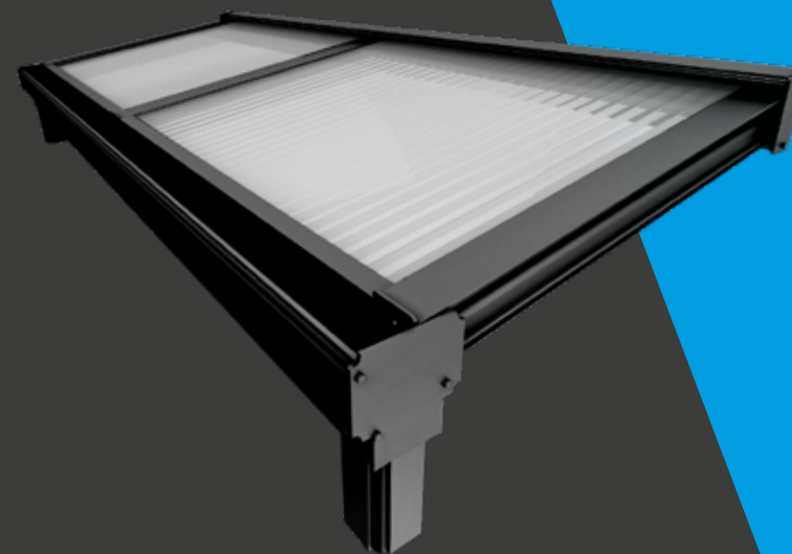
The Benefits of using this system:

All-aluminium system: The Simplicity 16 is manufactured solely from aluminium to offer exceptional longevity and easy maintenance. It also features hidden, integral guttering for a clean, modern appearance.

High speed installation: This system has been developed in partnership with one of the most prolific extrusion designers in the industry. Through his extensive expertise and using knowledge gained from 25 years experience, the simplest system possible has been created.

Impact resistance: Some of the systems on the market today use PVC or GRP roof panels which do not have the impact resistance of polycarbonate. Only triple wall 16mm polycarbonate sheeting is used to ensure that the structure lasts and has the impact resistance and the snow loading capabilities suitable for anywhere in the UK.

Variable Roof Pitch: Unlike the majority of roof kits, which only offer a fixed pitch, the Simplicity 16 offers a pitch range of 2.5 degrees to 22.5 degrees to give more height at the back or to enable a low wall plate installation.

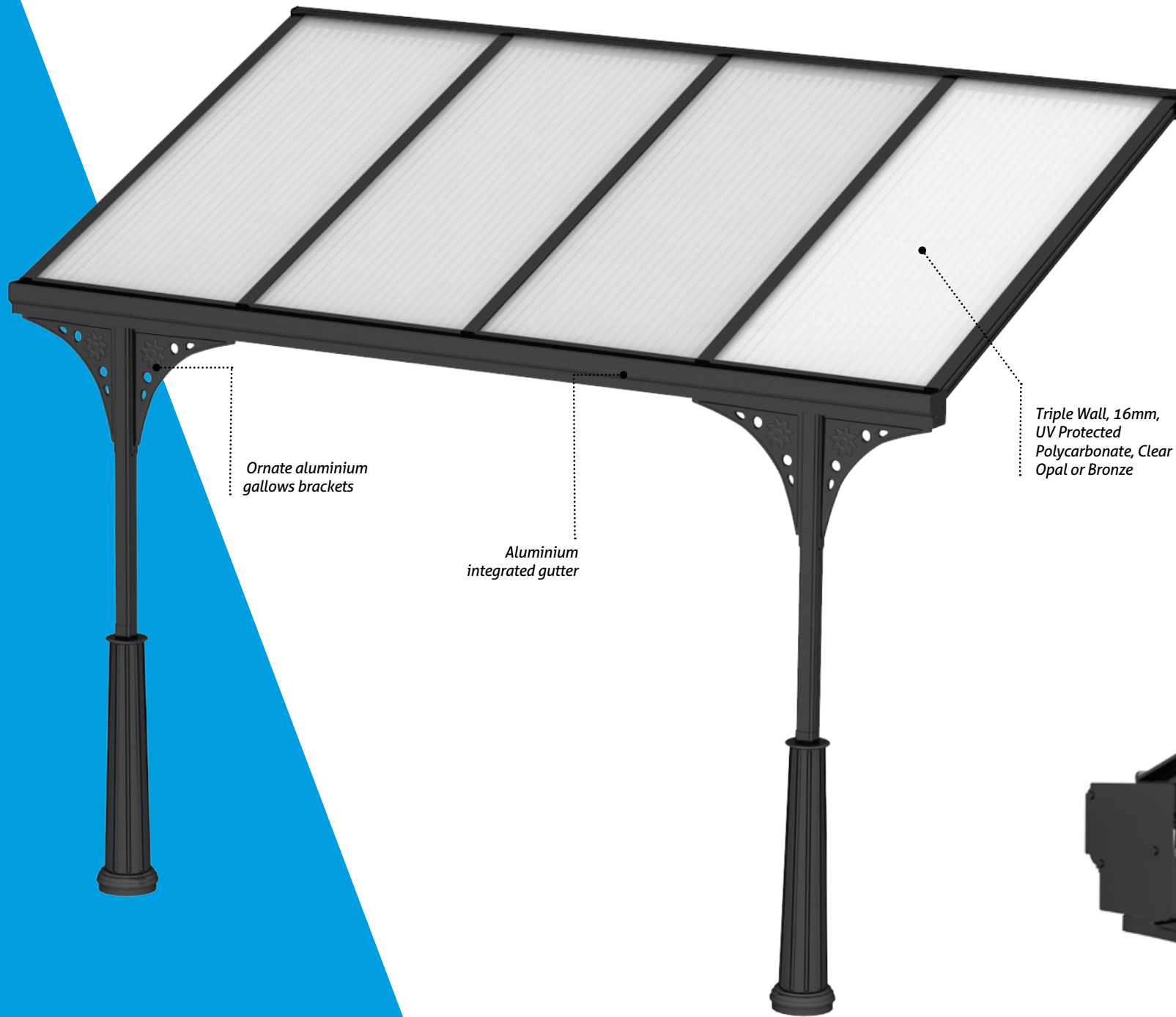


SUITABLE FOR
GARDEN CANOPIES



SUITABLE FOR
CARPORTS

option 2



Ornate aluminium gallows brackets

Aluminium integrated gutter

Triple Wall, 16mm, UV Protected Polycarbonate, Clear Opal or Bronze

The *Simplicity* 16

Features & Benefits

- **Available in any length**
- **Available Projections** – Available up to 4m projection depending on snow load
- **Full 10 Year Guarantee** and a 25 year Life Expectancy
- **Simple fixing system with minimal parts** - For quick and easy installation
- **Low profile** – The Simplicity 16 can be fitted in areas where height is restricted
- **Stainless Steel Fixings** – All fixings are 316 marine grade stainless steel
- **Integral Aluminium Guttering** – Saves time on installation and is also stronger than an external gutter system.
- **16mm Structured Polycarbonate Panels** – Available in a clear or opal finish
- **High UV Protection** – A layer of UV absorber is co-extruded onto our roofing panels to offer high UV protection

Information on the design load and maximum span limits are available on request.

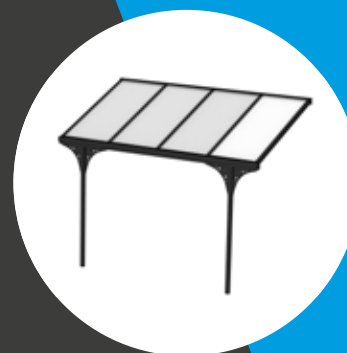
Projection up to 4m

Posts Spacing			
Projection:	Up to 4m		
Spacing:	3.0m		
Glazing Bars Spacing			
Projection:	Up to 3m	3.001m - 3.5m	4m
Spacing:	1m	700mm	500mm
Pitch			
From 2.5 degrees to 22.5 degrees			

These are general calculations, once we understand your requirements we will perform an assessment for wind and snow loadings based on your postcode.

"We are extremely pleased with this and have had nothing but excellent responses from everyone who has seen it."

MR. PEEL
BLANDFORD FORUM, DORSET

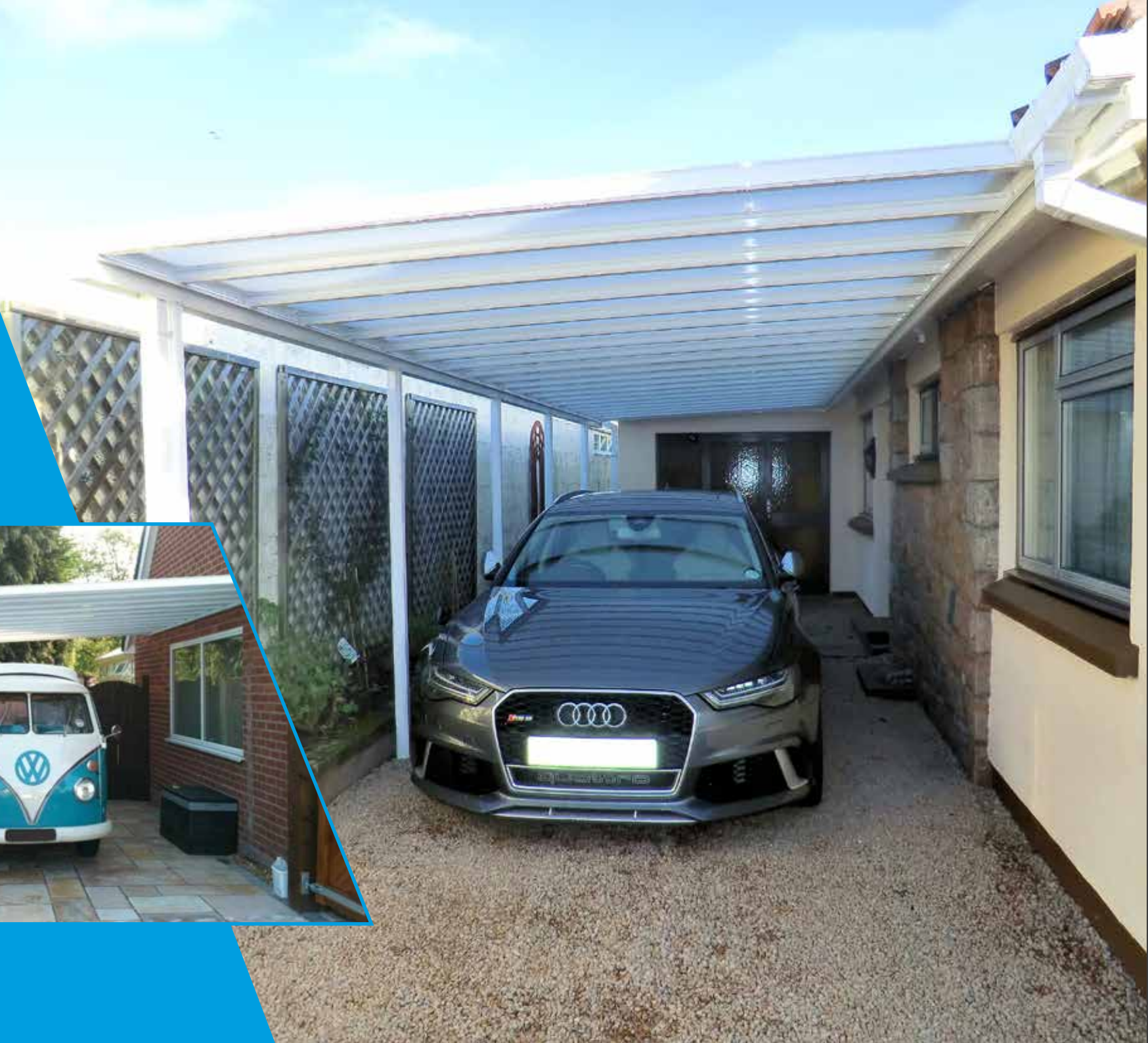


Optional Gallows Included



Optional Base Castings and Gallows Included

option 2









The *Simplicity* 16

Optional Upgrades

The Simplicity 16 can be supplied with upgrades as follows:

- **Wide Range of Colour Options** – The framework can be finished to any RAL or BS colour
- **Victorian Upgrade Available** – Enhance the structure with traditional style decorative post sleeves and gallows brackets
- **Integrated LED Lighting Available** – Lighting can be added to your veranda to enable you to entertain when the sun goes down
- **Infrared Heaters Available** – Infrared Heaters can be added to your veranda to create a warm and cosy area underneath
- **Roof Panel Colours** can be either Opal, Clear or Bronze

-  **VICTORIAN UPGRADE**
-  **OPTIONAL LED LIGHTING AVAILABLE**
-  **INFRARED HEATERS AVAILABLE**
-  **ROOF PANEL COLOUR OPTIONS**
-  **ANY RAL COLOUR OPTION**
-  **CONTEMPORARY 70MM x 70MM SQUARE POST AVAILABLE**



Victorian Upgrade



Available in any RAL colour



Infrared Heaters



The *Simplicity* 35

A large domestic or commercial solution. Perfect for schools, colleges, hospitals and local Authority establishments or large span carports and verandas due to its durability, versatility, and unlimited length.

It is **completely constructed from aluminium**, giving you a structure with unbeatable durability together with a life expectancy of up to 25 years. This robust system is also supplied with a full 10 year guarantee.

The Simplicity 35 can be manufactured to **any length** to meet specific requirements and can **span up to 6 metres**, enabling you to cover multiple cars easily with minimum posts. It has a modern, stylish appearance and benefits from robust integral aluminium guttering which creates an attractive finish to the structure whilst also ensuring a quick installation. Furthermore, this aluminium guttering requires minimal subsequent maintenance throughout the products lifetime.

The Simplicity 35 system features 35mm structured polycarbonate roof panels, which are available in clear or opal and

offers in excess of 98% UV protection which reduces the risk of your vehicle paintwork fading and will protect anyone using the area from harmful UV rays.

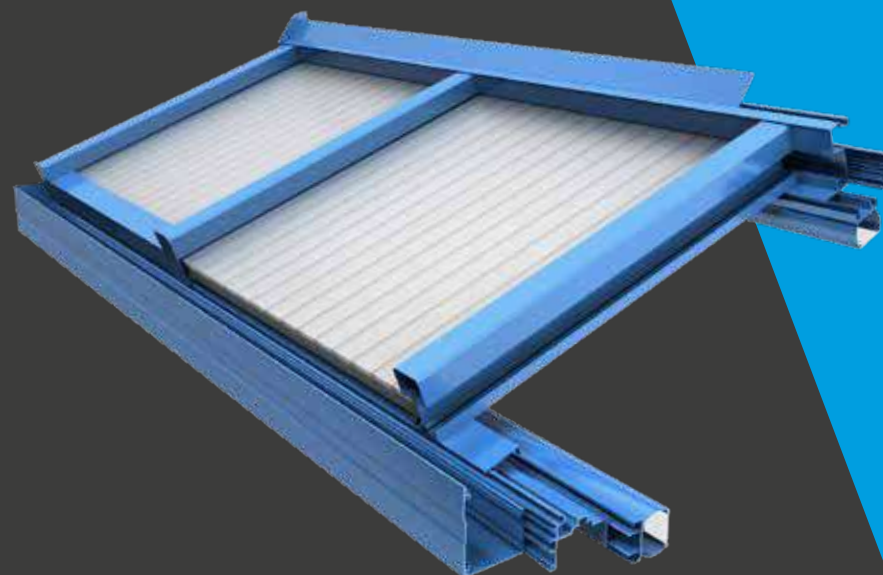
The Simplicity 35 has a **variable wall pitch from 2.5° - 45°** so that you can decide on the height of the wall-plate to suit your needs – ideal for taller vehicles such as campervans and caravans. The aluminium framework, which is supplied in white as standard, can be coloured to any RAL or BS colour to match existing window and door frames or to create an attractive contrasting effect.

The Simplicity 35 is also the perfect veranda or canopy for commercial settings as well as private homes.

This contemporary yet robust system has passed the ACR(M) 001:2005 Test for Non-Fragility of Profiled Sheeted Roof

Assemblies and is certified as a Non-Fragile system (providing the installation conforms to span and loading charts – please contact us for more information). This glazing system must be used in conjunction with the supplied polycarbonate to conform to wind and snow loadings for the UK.

The Simplicity 35 is available in any RAL or BS colour to meet specific requirements.



SUITABLE FOR BIG
SPAN CARPORTS



SUITABLE FOR COMMERCIAL
CANOPIES & WALKWAYS

option 3



Optional Ornate Aluminium Gallows Brackets

Aluminium integrated gutter

Dual Gaskets on all Aluminium bars

35mm shatter resistant, UV protected, 7 wall polycarbonate sheets

The Simplicity 35 has an Integrated LED Lighting System and aluminium trims to conceal the front canopy fixings and give a quality finish.

The *Simplicity* 35

Features & Benefits

- **Full 10 Year Guarantee** and a 25 year life expectancy
- **Fully Aluminium System** – Including heavy duty structural aluminium roof bars for ultimate strength
- **Stainless Steel Fixings** – All of the fixings are 316 marine grade stainless steel for longevity and total resistance to corrosion
- **Integral Aluminium Guttering** – Saves time on installation and creates a robust and attractive gutter system
- **35mm Structured Polycarbonate**
Our 7 wall polycarbonate is amongst the strongest you can buy.
- **Fire Performance** – Polycarbonate panels benefit from excellent fire performance, meeting BS476 part 7 class 1, EN13501 and B-s1, d0
- **Robust Roof System** – The roofing system is strong enough to be walked on as a means of escape and maintenance, with the use of boards (edge protection recommended)
- **High UV Protection** – A layer of UV absorber is co-extruded on the outer surface of the roof panels which prevents damaging UV radiation from penetrating the sheet and protects those underneath from the sun. UV

protection also prevents yellowing and loss of strength to the panel, giving it longer life

- **Variable Roof Pitch** – The roof has a variable pitch of between 2.5° – 45°
- **Large Projection** – Projection of up to 6 metres to create large shaded areas if required
- **Unlimited Length** – This structure can be constructed to any length to suit requirements

Information on the design load and maximum span limits is available on request.

Projection up to 6m

Posts Spacing			
Projection:	Up to 4m	4.1m - 6m	
Spacing:	3.5m	3m	
Glazing Bars Spacing			
Projection:	Up to 4.5m	4.5m - 5.3m	5.301 - 6m
Spacing:	1250mm	700mm	500mm
Pitch			
From 2.5 degrees to 22.5 degrees			

These are general calculations, once we understand your requirements we will perform an assessment for wind and snow loadings based on your postcode.



Optional Gallows Included



Optional Gallows, Base Castings & Cast Collars

option 3



Image above shows additional side panels supplied by a trade partner.

The *Simplicity* 35

Optional Upgrades

The Simplicity 35 comes with a host of upgrades to enhance the area.

- **Wide Range of Colour Options** – The framework can be finished to any RAL or BS colour
- **Victorian Upgrade Available** – Transform the Simplicity 35 into a decorative structure with the Victorian Upgrade
- **Infrared Heaters Available** – Add Infrared Heaters to your veranda to create a warm and cosy area underneath when socialising or dining outside in your garden
- **Integrated LED Lighting Available** – Optional lighting to your veranda to enable you to entertain when the sun goes down



VICTORIAN UPGRADE



OPTIONAL INTEGRATED REMOTE CONTROLLED LED LIGHTING AVAILABLE



INFRARED HEATERS AVAILABLE



ANY RAL COLOUR OPTION



Victorian Upgrade



Optional Remote Controlled LED Lighting



Infrared Heaters



Available in any RAL colour



LED Remote Control Unit



Rafter *Bars*

The Rafter Bar is a highly versatile aluminium component which can be used to create either curved roofing systems, roof tops for carports or garden canopies.

They can also be used to re-roof existing structures. It is compatible with 6mm glass, 16mm and 35mm polycarbonate, allowing you to offer a wide range of glazing options without the need for various sized rafter bars, saving on cost and storage space.

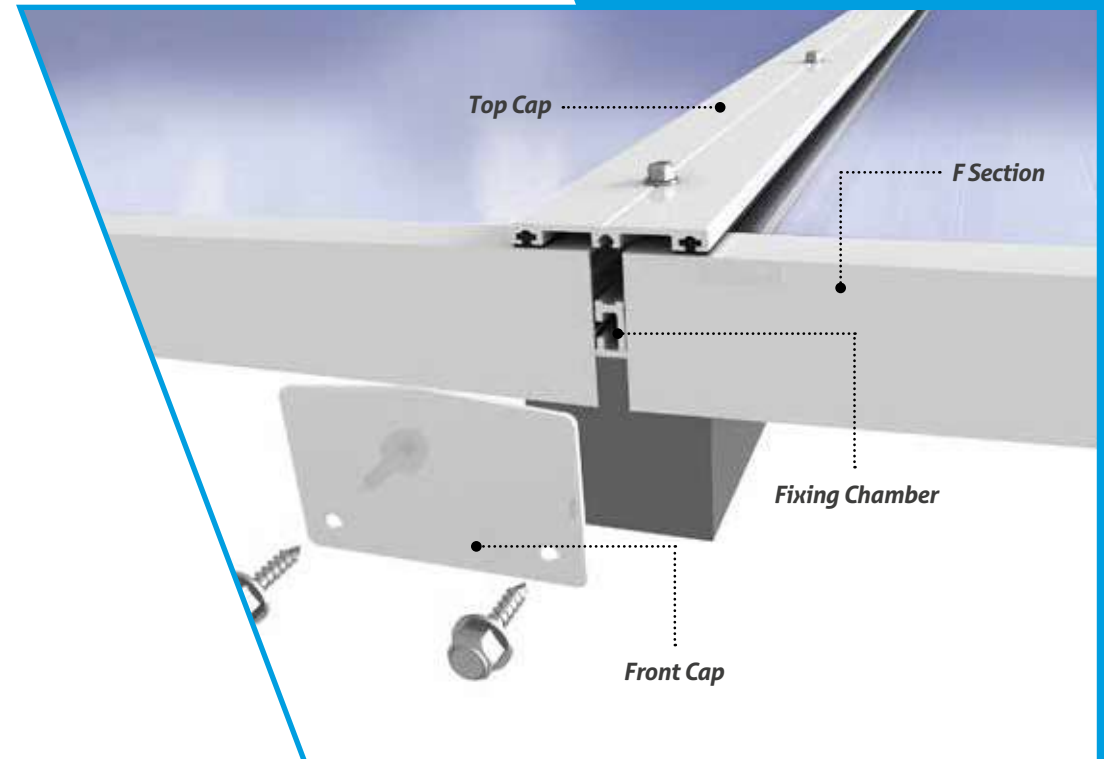
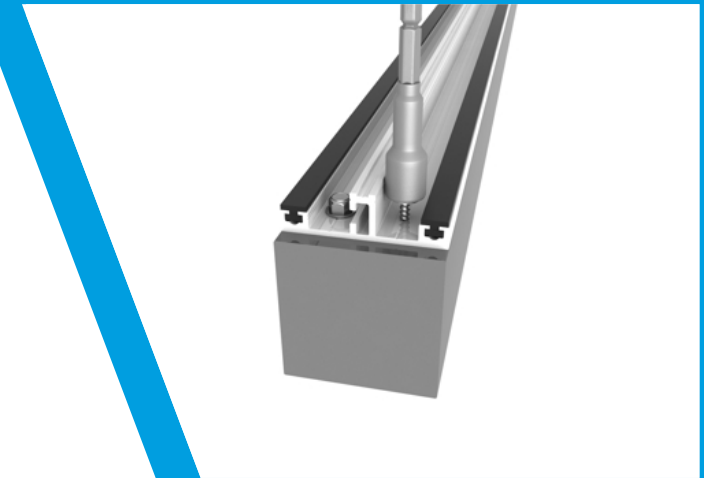
"The kit was easy to self install with minimal parts and a neat finish."

**MR WIGGINS
FRINTON ON SEA, ESSEX**

This rafter bar is a 2 part aluminium bar with dual gaskets for expansion and contraction of the glazing material.

This bar needs an underside support and will span up to 1.5m (curved from purlin to purlin) and 1m unsupported from purlin to purlin at 2.5 degrees pitch.

The rafter bars are available up to 6m long and are powder coated white as standard and can include F section front and back as part of a roof kit.



Bioclimatic *Pergola* Range

The Creators of the Bioclimatic Pergola

SOLISYSTEME bring you two fantastic Bioclimatic Pergolas...The REFERENCE and The ELEGANCE.

SOLISYSTEME is the original inventor of the Bioclimatic Pergola and have been manufacturing these iconic structures since 1998 and to this day is a family run business.

SOLISYSTEME are now world renowned for quality, innovation and durability and held the original patent for the louvered structure from 1998 to 2008, all of their aluminium profiles are subject to the Qualicoat and Qualmarine standards which guarantees quality and durability over time and give an impeccable finish.

The Bioclimatic Concept... The Bioclimatic



Pergola is an original and exclusive concept that provides you with an entirely new living space. To be able to quickly shape your environment to enhance your outdoor experience with stylish weather protection, is truly a leap forward...

***Protection...Ventilation...Control...
Brightness***

WARRANTY

The ELEGANCE and the REFERENCE both come to you complete with a 10 year guarantee on the structures and louvers plus a 3 year guarantee on mechanisms for complete piece of mind.

Play with light and shade

- Customised and scalable aluminium structures
- Manual or motorised versions
- Wall mounted or free standing
- Compatible with a range of accessories
- Can be adapted to all types of architecture
- Rainwater drainage tested up to 230mm/h
- Wind resistance tested up to 180km/h (CSTB)
- Load resistance tested up to 300kg/m²

Take advantage of the best from the outside

The Bioclimatic Pergola invented by SOLISYSTEME is an original and exclusive concept that gives you a whole new living space. Your terrace becomes a real extension of your interior for an outdoor lifestyle. Temperature, freshness or sunshine intensity can be modulated to suit your mood or to tame the weather. You can naturally adjust the ambience of adjoining rooms simply by regulating the rays of the sun.

Based around our REFERENCE structure, you will benefit from an understated, modular, robust and elegant finish. It fits perfectly into classic, modern or avant-garde architecture. You will be able to prolong your evenings by creating beautiful nocturnal atmospheres with our new integrated LED lighting.



PROTECTION
Protects from harmful sunlight and offers complete cover from poor weather conditions.



VENTILATION
Provides ventilation to prevent hothouse heat build-up whilst retaining shade.



CONTROL
Regulates the temperature of adjoining rooms by controlling sunlight intensity and direction.



BRIGHTNESS
Adjusts the intensity of the daylight to enable enjoyment of low-light hours.



option 1



The **REFERENCE** Pergola

The REFERENCE is a highly cost effective Bioclimatic Pergola. There are a large number of standard structures in the range and bespoke sizes are also available.

**Maximum distance post to post is 7150mm
Blades are up to 4m long**

There are also 4 lighting options consisting of LED spots, integrated downlight strips inside of the beams, strip light up lighting options and an effective gutter strip lighting system.

Colours Options

All standard fixed size pergolas are supplied either in RAL 9010 White or RAL 7016 Grey for the frame or the louvers.

Optional Upgrades

- Lateral Zip Screens with Somfy motors
- Sliding glass panels
- Integrated LED strip or spot lighting
- Adjustable vertical Brise Soleil shading options
- Heaters

Roof blade units can be joined together to create unlimited length and width



RAL 9010 RAL 7016

All bespoke pergolas are available in 9 standard colours for the frame and either RAL 7016 grey or RAL 9010 white for the louvers.



RAL 9010 RAL 7016 RAL 9005 RAL 7037 RAL 9006

RAL 1247 RAL 1015 RAL 8028 RAL 1019



SUITABLE FOR GARDEN & DINING AREAS



SUITABLE FOR COMMERCIAL GARDENS

option **2**



The **ELEGANCE** Pergola

Enjoy your stylish terrace in all weathers with its clean lines and unique design, the ELEGANCE will create a genuine outdoor living space in any weather.

**Maximum distance post to post is 7225mm
Blades are up to 4m long**

The ELEGANCE finish offers a truly customisable peripheral frame and creates a truly personal look, choose from a range of standard laser cut designs to enhance the structure.

- **Hidden hardware and fasteners**
- **Innovative posts for the integration of electronic components**
- **Compatible with all the standard Bioclimatic accessories**
- **Integrated LED strip lighting**
- **Standard or bespoke laser cut options**

Roof blade units can be joined together to create unlimited length and width

Colours Options

All standard fixed size pergolas are supplied either in RAL 9010 White or RAL 7016 Grey for the frame or the louvers.



All bespoke pergolas are available in 9 standard colours for the frame and either RAL 7016 grey or RAL 9010 white for the louvers.



SUITABLE FOR GARDEN
& DINING AREAS



SUITABLE FOR
COMMERCIAL GARDENS



Zip Screens

Pergola Accessories

Your terrace is ready for the summer but who said that your Pergola was only for the summer season?

The options for customisation let you enjoy your terrace every day of the year, whatever the season. Glass walls, side blinds, lighting, heating or a fireplace - you can be outside with all the creature comforts of being inside.

No matter if it's hot or cold outside, your customers can still be in their garden enjoying even the slightest rays of sunshine. With the remote control in hand, the accessories of their pergola will obey their every command to master the elements.

Optional Upgrades

- Lateral Zip Screens with Somfy motors
- Sliding glass panels
- Integrated LED strip or spot lighting
- Adjustable vertical Brize Soleil shading options
- Heaters



Spot Lighting

Pergola Formats



Inclined structure



Self-standing



Built-in structure



Wall mounted



LED Strips

The *Awning* Range

These are designed to complement the other fixed glass and polycarbonate solutions on offer. Using only the finest Somfy Motors and Dickson Fabrics, they are designed to last in the commercial and domestic markets.

The Palladio

The Palladio is a stylish awning which retracts into a compact cassette when not in use.

The neat design ensures the Palladio is unobtrusive but can be easily and quickly extended to create shade during sunny weather or offer shelter from wind and rain.

The Australia

The Australia awning fits seamlessly into any setting, creating shade and shelter in even the most adverse weather. It can also be configured with an

added feature of being able to adjust the inclination of the awning, which is useful depending on the angle of the sun at different times of the day.

The Pergolino

The Pergolino provides protection from bright sunshine as well as light rain and is the ideal solution for restaurants, bars and cafés as well as domestic properties.

The Screener Veranda

A solid and elegant awning that is designed to be installed on to a veranda or other large vertical or horizontal glazed area.

Window Awning

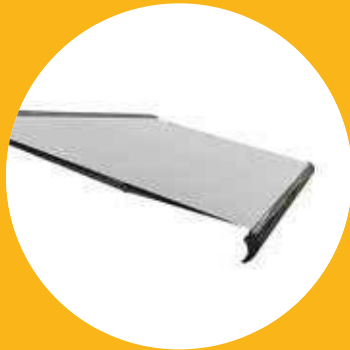
Window awnings are an ideal solution for detached houses, restaurants, cafés and small shops. It protects against penetration of sunlight. Moreover, it decorates a building and is easy to use with its perfect functioning system provided by high quality manual or electric drive.

Outdoor spaces always present a challenge of form or function, we need to make sure you have a variety of different options and solutions to suit any environment or expectation.

The awning range allows you to offer retractable solutions in a range of sizes, shapes and colours to meet most requirements.

5 options

Our retractable awnings are designed to compliment the other solutions available.



The Palladio



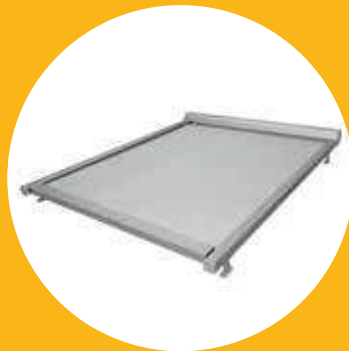
The Australia



The Pergolino



*The Window
Awning*



*The Screener
Veranda*





The *Palladio*

The Palladio is a stylish awning which retracts into a compact cassette when not in use. The neat design ensures the Palladio is unobtrusive but can be easily and quickly extended to create shade during sunny weather or offer shelter from wind and rain.

Precision

High quality design ensures smooth and reliable operation of the flyer chain within the arm. To ensure the fabric is stretched evenly a special tensioning mechanism is used.

Wide range of colours

Choose from our extensive range of colours. Standard colours can be found on page 75 and for additional colours please visit our website.

Automatic options

Choose the automation that suits your requirements with our intelligent solar or wind sensor options.

Fabric protection

Our unique design means our awnings are tightly rolled and completely protected inside the cassette.

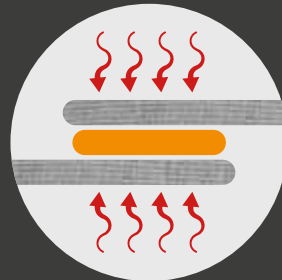
Thermal glueing of fabrics

The fabric is bonded together with a modern hot glue technique using only the highest quality PUR-based reactive glue.

Vario Volant

Vario Volant is an unrolling ruffle, which is discreetly concealed in the front section of the awning. It provides protection against the low sunset and guarantees privacy and comfort. It can be used both with the Palladio and Australia awnings.

Each Palladio awning comes with a 2 year guarantee, 5 years warranty on fabric and 5 years on Somfy motors (all subject to terms and conditions).



SUITABLE FOR GARDEN
& DINING AREAS



SUITABLE FOR
COMMERCIAL GARDENS



The *Australia*

The *Australia* awning fits seamlessly into any setting, creating shade and shelter in even the most adverse weather. It can also be configured with an added feature of being able to adjust the inclination of the awning, which is useful depending on the angle of the sun at different times of the day. The *Australia* is a popular choice for all environments due to its elegantly simple design and robust construction.

Precision

By creating a shaded and sheltered outdoor area you can protect your expensive garden furniture which can quickly deteriorate if left to the elements.

Control options

Choose the best automatic control options to suit your needs. Optional sunlight and wind sensors as well as the ability to manually alter the inclination of the awning.

Wide range of colours

You can choose from a vast range of colours depending on whether you want the awning to blend in, or contrast with the existing architecture and surroundings.

Standard colours can be found on page 75 and for additional colours please visit our website.

R-Pitch

R-Pitch is an additional option for the *Australia* awning which enables the inclination of the awning to be manually adjusted with the use of a crank.

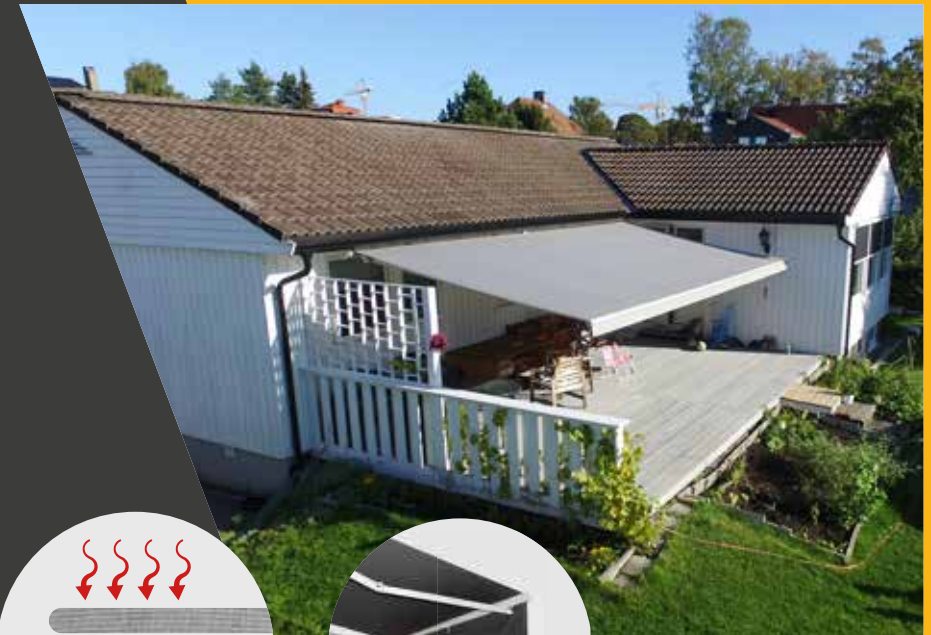
Thermal glueing of fabrics

The fabric is bonded together with a modern hot glue technique using only the highest quality PUR-based reactive glue.

Vario Volant

Vario Volant is an unrolling ruffle, which is discreetly concealed in a front section of the awning. It provides protection against the low sunset and guarantees privacy and comfort. It can be used both with the Palladio and *Australia* awnings.

Each *Australia* awning comes with a 2 year guarantee, 5 years warranty on fabric and 5 years on Somfy motors (all subject to terms and conditions).



SUITABLE FOR GARDEN
& DINING AREAS



SUITABLE FOR
COMMERCIAL GARDENS



The *Pergolino*

The Pergolino provides protection from bright sunshine as well as light rain and is the ideal solution for restaurants, bars and cafes as well as domestic properties.

Stability

Due to its high quality and robust construction using the best components, the Pergolino is a very stable structure.

Comfort and protection

Summer rain will never again surprise the guests of restaurants or families at a weekend barbecue. You may enjoy additional space around your home, protected from sun, wind and rain.

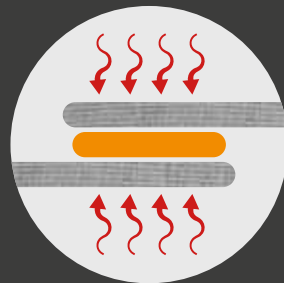
Wide range of colours

Choose from our extensive range of colours. Standard colours can be found on page 75 and for additional colours please visit our website.

Thermal glueing of fabrics

The fabric is bonded together with a modern hot glue technique using only the highest quality PUR-based reactive glue.

Each Pergolino awning comes with a 2 year guarantee, 5 years warranty on fabric and 5 years on Somfy motors (all subject to terms and conditions).



SUITABLE FOR GARDEN & DINING AREAS



SUITABLE FOR COMMERCIAL GARDENS



Screener Veranda

A solid and elegant awning that is designed to be installed onto a veranda, glass room or other large vertical or horizontal glazed structure.

Convenience

The Screener Veranda ensures efficient air circulation and optimal sun protection which minimises overheating.

Precision

The Screener Veranda has a specially designed traction bar to guarantee constant fabric tension in any position.

Fabric colours

Soltis 92 Colour Range:

Weight:	420 g/sqm
Thickness:	0.45 mm
Roll-width:	177 cm
Tensile Strength (warp/weft):	310/210 daN / 5cm
Tear Resistance (warp/weft):	40/20 daN
Flame Retardancy (warp/weft):	M1/NFP 92-507 • METHOD 1/NFPA 701 • CSFM T19 • CLASS A/ASTM E84 B1/DIN 4102-1 • BS 7837 • BS 5867 • LASSE 1/UNI 9177-87 • M1/UNE 23.727-90 • VKF 5.2/SN 198898 • 1530.3 /AS/NZS 1530.3 • G1/GOST 30244-94
Euroclass:	B-s2,d0/EN 13501-1
Quality Management System:	ISO 9001

The technical data shown here are average values, given for information only, and may be modified.



SOLTIS 92-2046
ALU/OAT



SOLTIS 92-2171
BOULDER



SOLTIS 92-2048
ALU/ALU



SOLTIS 92-2045
BEATEN-METAL



SOLTIS 92-2074
ALU-MEDIUM
GREY



SOLTIS 92-2167
CONCRETE



SOLTIS 92-2047
ANTHRACITE



SOLTIS 92-2053
BLACK

Serge Ferrari



Window *Awnings*

The stylish and simplistic Window Awning has been designed to create shade and shelter for your home. It is made completely from aluminium and high quality Dickson fabric. You have the choice of manual or electronic operation at the time of ordering to suit your needs.

The precise design ensures the Window Awning is unobtrusive, and can be easily and quickly installed to create instant shade. It is the perfect window shade solution for detached houses, restaurants, cafés and small shops.

“Really happy with our awning, it was the best thing we could have done, it has transformed the side of the bungalow and my husband said your installers did a great job”

**MRS. ROSALYN GILES
ALDERSHOT, HAMPSHIRE**



SUITABLE FOR GARDEN
& DINING AREAS



SUITABLE FOR
COMMERCIAL GARDENS

Standard Fabric *Colours*



For the Palladio, Australia, Pergolino & Window Awnings

Dickson Colour Range:

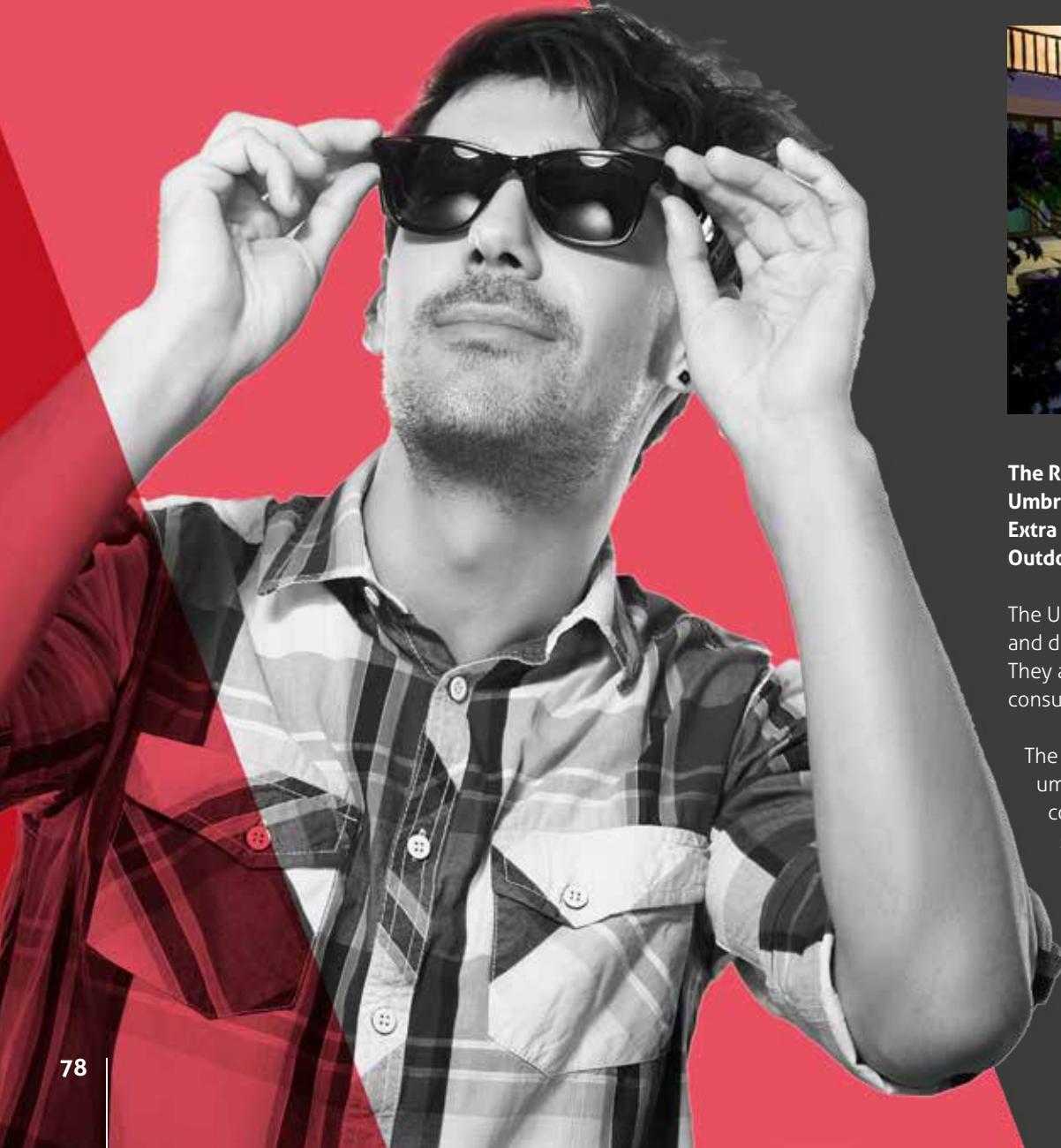
Composition: Acrylic 100%, solution dyed
Finishing: Cleangard special dirt-resistant and awning water repellent treatment
Weight: 290g/m2 Width: 120cm
Tensile Strength: 140 daN Wrap / 90 daN Weft
Tear Strength: 4 daN Wrap / 2.3 daN Weft
Water Repellency: >370mm
Colour Fastness Weather Condition: 4-5 / 5



Standard Construction Colours



The *Umbrella* Range



The Range of Umbrellas consists of Giant Umbrellas, Large Commercial Umbrellas, Extra Large Patio Umbrellas and Large Outdoor Umbrellas.

The Umbrella range combines style, quality and durability for all types of application. They are engineered and manufactured for consumers who demand the best.

The Classic, Strongwind and Cantilever umbrellas are ideal for any domestic or commercial area and will give you the shade and weather protection you require.

The Giant and Impressive Umbrellas provide a great solution to protection from the elements for a variety of domestic or commercial applications. Whether it be for a garden, hotel, restaurant, pub or resort, these umbrellas will enhance the customer experience in all weathers.

All structures, apart from the Cantilever Umbrella come with a large range of accessories from side panels, heaters, lights and gutters.

6 options

All Structures come with a large range of accessories from side panels, heaters, lights, and even gutters if required.



Classic



Giant



StrongWind



Cantilever



Impressive



Marine Upgrade





The *Classic* Umbrella

The stylish **Classic Umbrellas** offer the ideal shade and protection with timeless styling, unrivaled quality, reliability and durability.

They create the perfect ambiance while providing a comfortable and protected outdoor environment. Popular in the hospitality industry, they are also the choice of commercial and residential customers who demand top quality at reasonable prices.

The Classic Umbrellas are available in round, square and rectangular shapes in 41 sizes. The Classic Umbrellas are ideal for small to medium shade solutions from 4 to

The Classic range of umbrellas can be supplied with protective covers, heaters, portable bases and in ground options.

Sizes range from 4m² up to 27.5m²
Available square rectangular or round

27.5 square meters (43 to 280 square feet.)
Custom sizes are also available on request.

Built with a strong mast and eight strong arms, these telescopic center post umbrellas provide maximum functionality and stability. Easy and safe to operate, these smaller, but commercial quality umbrellas are the choice of individuals and businesses that demand strong, but elegant shade solution.



Heaters available
See page 98



SUITABLE FOR GARDEN
& DINING AREAS



SUITABLE FOR
COMMERCIAL GARDENS

option 2



The *Giant* Umbrella

The Giant Umbrellas are the giants of the umbrella world. These telescopic umbrellas are strong and stable with post diameter and wall thickness of 110/5mm.

Manufactured with 10 or 12 strong arms, these telescopic umbrellas also have a allen crank that makes operating these extra large umbrellas very easy.

The Giant Umbrellas are the perfect choice to shade medium to very large areas. They are large enough to cover an entire patio and provide a safe oasis from rain and shine. The area covered by these giant umbrellas ranges from 36 to 78m² (or 350 to 845 square feet).

**Sizes range from 36m² up to 78m²
Available square, rectangular or round**

Adjacent square or rectangular umbrellas can be connected to cover extremely large areas.

As for our other models, these umbrellas come with optional accessories like rain gutters and side panels that offer complete weather protection, lights and heaters to raise ambience and comfort levels.

The Giant range of umbrellas can be supplied with protective covers, heaters, portable bases or in ground options. You can also add individual sidesheets to each side of the umbrella. These can be connected together to create an enclosed space. Also, clear sections can be added for transparency.



SUITABLE FOR GARDEN
& DINING AREAS



SUITABLE FOR
COMMERCIAL GARDENS



The *StrongWind* Umbrella

The StrongWind Umbrellas are in a class of their own. Their unrivaled strength is combined with beauty and sophistication that is presented with meticulous workmanship.

In a TUV certified wind tunnel testing, the StrongWind passed 102 kilometer (60 miles) per hour sustained wind by a large margin, providing proof that our StrongWind umbrellas are the ultimate choice for extremely windy locations. The actual wind speed of 120km or 75mph reached during our test is Hurricane level 1 wind. The StrongWind Umbrella can resist wind speeds of up to 70 km/h.

Our StrongWind Umbrellas perform exceptionally well under any weather conditions, and are unrivaled in value. They are very popular in the hospitality industry. Many hotels, restaurants, cafés, pubs and resorts rely on StrongWind Umbrellas for their brute strength, and municipal parks, pool complexes and theme parks install them for their proven stability.

Benefits

- Extra Strong Robust Design
- Can be used in wet and windy conditions
- Available in round or square designs

Sizes range from 7m² up to 50m²

"My husband and I are getting to our later years in life, so we thought we needed that extra bit of shade in the summer. These umbrellas provided the perfect solution! Easy to use, simple to clean and do a great job of protecting us from the sun. Highly recommend."

MRS. JOHNSTON
KENT

The StrongWind range of umbrellas can be supplied with protective covers, heaters, portable bases and in ground options. You can also add individual sidesheets to each side of the umbrella. These can be connected together to create an enclosed space. Also, clear sections can be added for transparency.



SUITABLE FOR GARDEN
& DINING AREAS



SUITABLE FOR
COMMERCIAL GARDENS



The *Cantilever* Umbrella

The Cantilever Umbrellas create a one-of-a-kind outdoor oasis in any outdoor setting. The side posts are sleek, elegant, strong and functional. The elegant profile is eye-catching open and closed.

There's no central post to interrupt floor space, so these sophisticated looking quality umbrellas are ideal for the hospitality industry as well as for residential applications. The seven arm telescopic technology allows easy operation of our "offset" umbrellas.

Cantilever umbrellas are best suited to provide shade for small to medium size

Sizes available are 3.0 x 3.0, 4.0 x 4.0, 5.0 x 4.0m, with mast diameter of 110mm and a 5mm material thickness. The 5.0 x 5.0m has a mast diameter of 125mm and a 10mm material thickness.

areas. To take full advantage of their strength, we would recommend them for permanent, in-ground installation.

"All I've got to say is, Value for money! Good quality, provides a tone of shading and very affordable. Can't go wrong with this product."

**MR. JACOBS
SWINDON**



SUITABLE FOR GARDEN
& DINING AREAS



SUITABLE FOR
COMMERCIAL GARDENS



The *Impressive* Umbrella

A stunning eye-catching umbrella the Impressive Type TXV is a reliable cover solution offering truly unbeatable shade.

When fully open this Umbrella provides large shading for playgrounds, market stalls, parks, open-air events, waterfront places and anywhere where cover is required to achieve a pleasant place to stay.

Benefits

- Extremely robust giant umbrella with reinforced components
- Ideal for shading large sized areas
- 12-arm telescope technology

Sizes available are 6.5m and 7m, with mast diameter of 111mm and a 7mm material thickness.

Specifications

Size : 6.5m x 6.5m or 7m x 7m

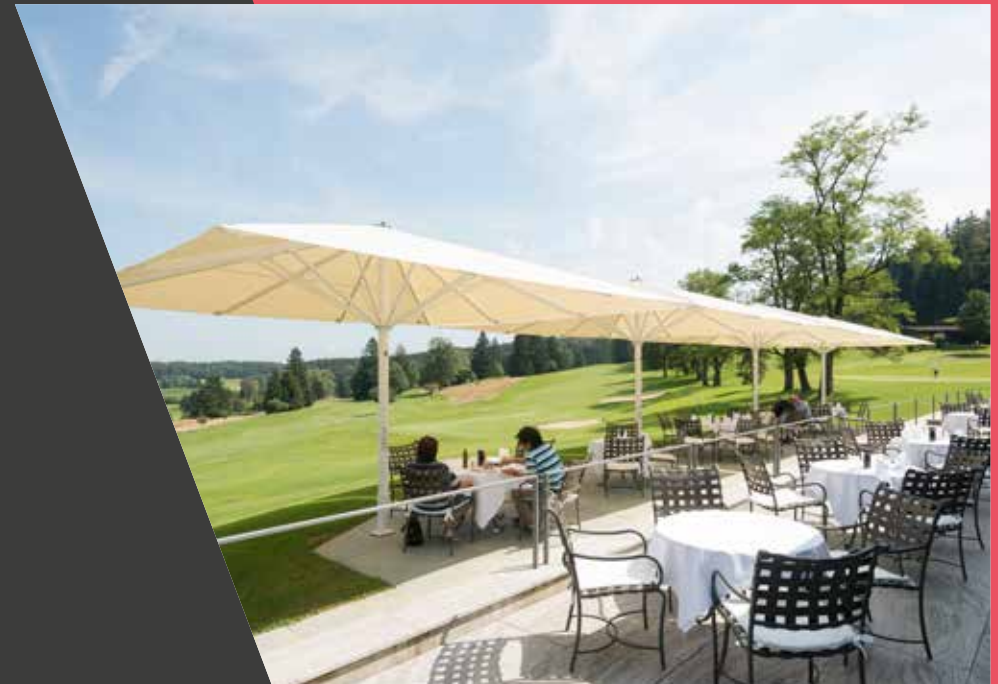
Shaded area: 42.3m² - 49m²

Mast: 111mm

Mast thickness: 7mm

Arms: 56 x 31 x 2.5mm

Operation: Crank handle and crank pin



SUITABLE FOR GARDEN
& DINING AREAS



SUITABLE FOR
COMMERCIAL GARDENS

option **6**



The *Marine* Umbrella Upgrade

The salty fog and mist that lingers along the sea does more damage to umbrellas than any other elements combined. It clogs the umbrellas driving mechanism and rusts the nuts and bolts. The Marine Upgrade has been designed to prevent these problems.

Military grade sealant and lubricants are used to ensure the gear-box and spindle pipe are air tight, preventing the salt from getting into those critical areas. The eye-screws and hinges are double galvanized, the joints are stainless steel to prevent rusting. The powder coating on the

aluminum frame also prevents rust damage. For circlips and screws a special zinc alloy is used, that is 8 times more salt resistant than zinc coating alone.

The features that make the Marine Upgrade so special are available but optional on all other models.

This makes all the umbrellas suitable for coastal areas.

Perfect for seaside locations or anyone who wants to extend the life of their umbrella.



SUITABLE FOR GARDEN
& DINING AREAS



SUITABLE FOR
COMMERCIAL GARDENS

Membrane and Fabrics

These membranes are cut on computer operated machines and sewn in-house by fully qualified and highly experienced staff. Only high-quality fabrics are used.

Generally these membranes are equipped with special trims. For hems and seams on the fabric, Airtex trim is used throughout. By combining the colors of trim and fabrics, using related, contrasting or complementary colors, interesting color schemes can be achieved.

Alternatively, umbrellas can be designed to either blend into their surroundings or to a specific corporate color scheme. Adjustable, spring-loaded end pieces in the arms ensure automatic re-tightening of membranes as well as quick and easy cover changes.

Sunacryl

The Sunacryl fabrics represents high effective sun protection. It is very durable against wind, weather, luminosity, heat and UV. Due to the solution dyed acryl fiber this fabric is non fading and tear resistant. Therefore Sunacryl is best suitable for your giant umbrella and is easy to clean.

Specifications

- 100% acryl Sunacryl solution-dyed
- Cleanguard coating outdoor finish
- Weight 290 g/m²
- Colour fastness and UV resistance 7 to 8/8 (UV 801)
- Water pressure resistance 350 mm

AIRTEX® classic (Polyester)

The AIRTEX® classic fabric is perfect for sun protection. This 200 g/m² light material is made of 100% polyester which comes with an acryl coating and impregnation on the upper side. The coating shows special textile character. AIRTEX® classic provides a very low surface weight and a good UV resistance. It is also water resistant and easy to clean.

Specifications

- 100% polyester
- Acrylic finish on top side
- Weight 200 g/m²
- Colour fastness and UV resistance 6 to 8/8 (UV 801)
- Water pressure resistance 700 mm







Frame

These robust frames are renowned for their strength and durability. Depending on the size and type of umbrella, the extruded aluminium profiles are internally reinforced.

All connecting components are manufactured from high quality stainless or galvanised steel. Each of the arms can be individually replaced. Spring-loaded end pieces located at the end of the arms to ensure automatic tightening of the membrane and facilitate membrane replacement.

The telescope is held securely by synthetic bearings to give stability. When closing the umbrella, the frame is raised, guaranteeing ample table clearance.



Coating

All aluminium profiles are finished with a high quality powder coating. This guarantees high scratch and impact resistance as well as protection against climatic and environmental influences.

Besides the white standard coating, you can choose from any of the RAL colour selection or a pattern from the exclusive DECORAL® range, e.g. pine, walnut, oak, marble, granite, etc.

Coating thickness: 60 - 120 microns
Colours: Any standard RAL colour

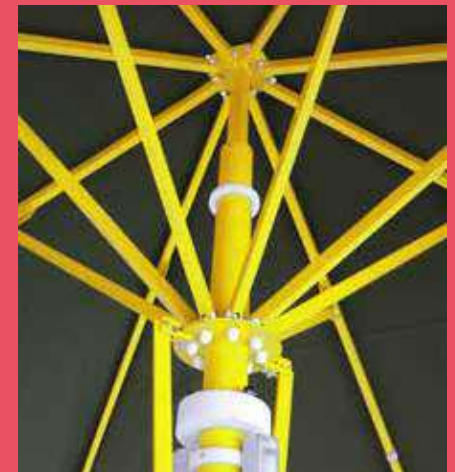
Decoral Coating

This is a modified powder coating process for the imitation of lifelike surface motifs. Lots of natural decors (wood, stone, carbon, etc.) can be recreated through this procedure.

The starting point and basic color of a Decoral coating is the regular powder coating. Now a special foil will be vacuumed onto this, which will be fixated at approximately 200 °C. This gives the material its special structure.

Advantages:

- High weather resistance
- Highly decorative appearance
- Natural appearance with the highest corrosion protection
- Easy care compared to natural materials such as wood.



Rain Gutters

If you have a collection of Umbrellas or ones that are situated near buildings, then these can be easily connected by using rain gutters.

When fitted these Gutter solutions provide weather protection to a much larger area allowing you more flexibility for your covered space.



Even detached umbrellas can be equipped with self-supporting gutters to allow rain water to drain off in desired directions. Airtex is used as the recommended material for our rain gutters. Their slightly conical shape provides the slope required to allow water to drain off efficiently.

For the necessary stability, our rain gutters have integrated aluminium profiles with threaded inserts.

The rain gutters are fastened to the end sections of the arms, using carabiners or special gutter adapters.

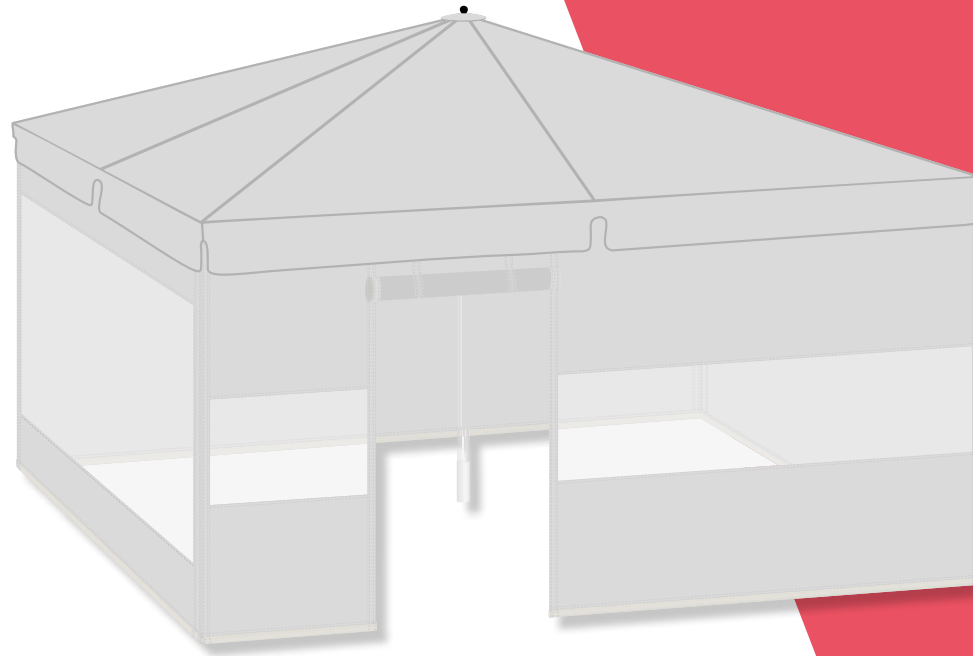


Side Sheets

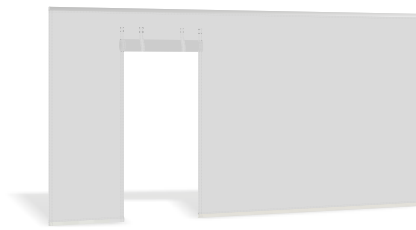
Side sheets make it possible to create a sheltered atmosphere and a cosy ambience.

No matter if you are using an individual umbrella or a group of umbrellas connected.

Side sheets are available with and without transparent clear vision inserts. The fastening system is identical to that of the rain gutters. Side sheets can be connected to one another by additional items. Roll-up doors are also available.



*Side sheet with clear vision, narrow
(Clear vision: 0.68 m height)*



Side sheet with door



*Side sheet with clear vision, wide
(Clear vision: 1.36 m height)*



Continuous side sheet with skirting



Heating and Lighting

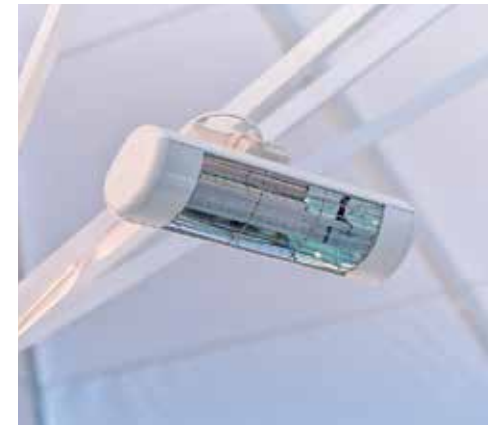
As a high-end home owner, host or event manager, you are always keen to provide your guests with a warm and welcoming atmosphere. With Heating and lighting solutions, you can turn your outdoor area into an impressive and pleasant location, for your guests to relax and feel at ease.

Attaching energy saving light units and highly efficient infrared heaters to your

umbrella is not only friendly to the environment (compared to the use of conventional light bulbs and outdoor heaters), it will also save you money.

LED's can be implemented efficiently in a huge variety of applications such as road lighting, advertising, domestic lighting, and automotive lighting. They bear significant advantages over conventional lighting technologies and have become a part of our everyday life.

Heater brackets are attached using special fixings. These can be conveniently collapsed before closing the umbrella. Time-consuming removal of the heaters is not necessary.



Fixings

In-ground and upper sleeve

For permanent installation, a 2 part fully galvanised ground sleeve system is recommended. The umbrella is firmly clamped and secured with an additional lock screw. The ground sleeve is set vertically and on ground level into a concrete foundation to ensure a secure standing position. In umbrellas with electrics, all cables are hidden from view inside the mast and the ground sleeve. The upper and inground sleeve is equipped with a hinge to ensure an easy installation and handling.

Base Plate

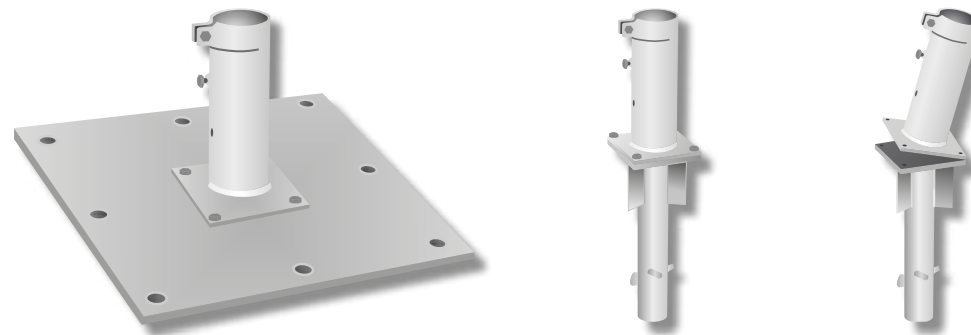
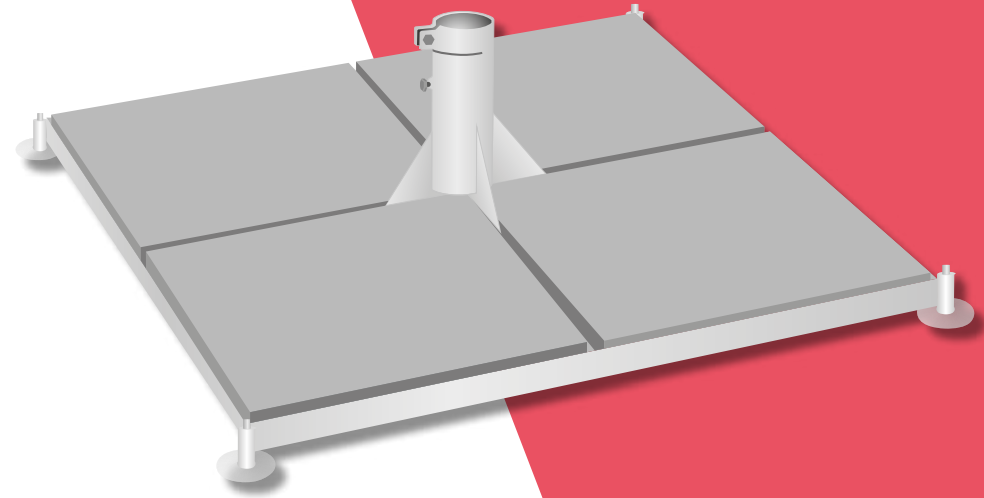
The base plate is used in cases where a concrete foundation is not possible due to existing structural limitations. Prime examples are roof terraces, balconies, and locations with underlying basements, cellars or car parks. Safe and secure installation using a base plate is achieved by means of 8 anchor screws and heavy duty dowels. The upper and inground sleeve equipped with a hinge to ensure an easy installation and handling.

Portable Stand

For mobile installations, a portable stand is recommended for use with concrete paving slabs. The four corner supports can be individually adjusted to compensate any unevenness in the ground. The upper and inground sleeve is equipped with a hinge to ensure an easy installation and handling.

Characteristics

- Galvanised steel
- Powder coating in selectable color
- Long lasting and solid







Whether it be for a garden, hotel, restaurant, pub or resort, these umbrellas will enhance the customer experience in all weathers.



Product Configurator

Compare the features of the flexible Simplicity Systems and other products to see what matches your requirements for glass rooms, carports, canopies, verandas, awnings and pergolas.

Product Range	The Alfresco Range	Simplicity 6	Simplicity 16	Simplicity 35	Bioclimatic Pergolas	Awnings	Pergolino	Umbrellas
All Aluminium System	✓	✓	✓	✓	✓	✓	✓	✓
Maximum Projection	6 metres	3.2 metres	4 metres	6 metres	Variable depending on orientation of Louvers	3.6 metres	5 metres	Up to 7.5 metres
Maximum Length	Unlimited	Unlimited	Unlimited	Unlimited	Unlimited	7 metres	5 metres	Up to 7.5 metres
Roof Panel Material	8mm Toughened Glass	6mm Toughened Glass	16mm Polycarbonate	35mm Polycarbonate	Aluminium	Fabric	Fabric	Fabric
Distance Between Posts	6 metres	3 metres	3 metres	3.5 metres	7 metres	N/A	5 metres	N/A
Internal Downpipes	✓	✓	✗	✗	✓	N/A	N/A	N/A
Available in Any Colour	✓	✓	✓	✓	9 frame colours Up to 3 blade colours	Frame 3 colours only Fabric multiple colours	Frame 3 colours only Fabric multiple colours	Available in any RAL colour
Victorian Upgrade Facility	✗	✓	✓	✓	✗	N/A	N/A	N/A
Heaters Available	✓	✓	✓	✓	✓	N/A	N/A	✓
Lighting Compatible	✓	✓	✗	✓	✓	✗	✗	✓
Glass Room Available	✓	✓	✗	✗	✓	✗	✗	✗

Glass Rooms, Alfresco Verandas,
Carports, Canopies, Pergolas,
Awnings and Umbrellas

